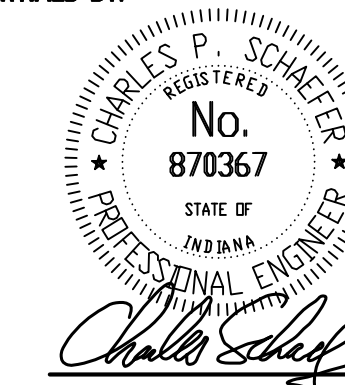




Structural Design, Inc.
337 Main Street
Beech Grove, Indiana 46107
(317) 822-0204 Fax (317) 822-0206

CERTIFIED BY:



THE JEFFERSON APARTMENTS
2213 EAST 10TH STREET
INDIANAPOLIS, INDIANA 46201

FOUNDATION DETAILS

ISSUE

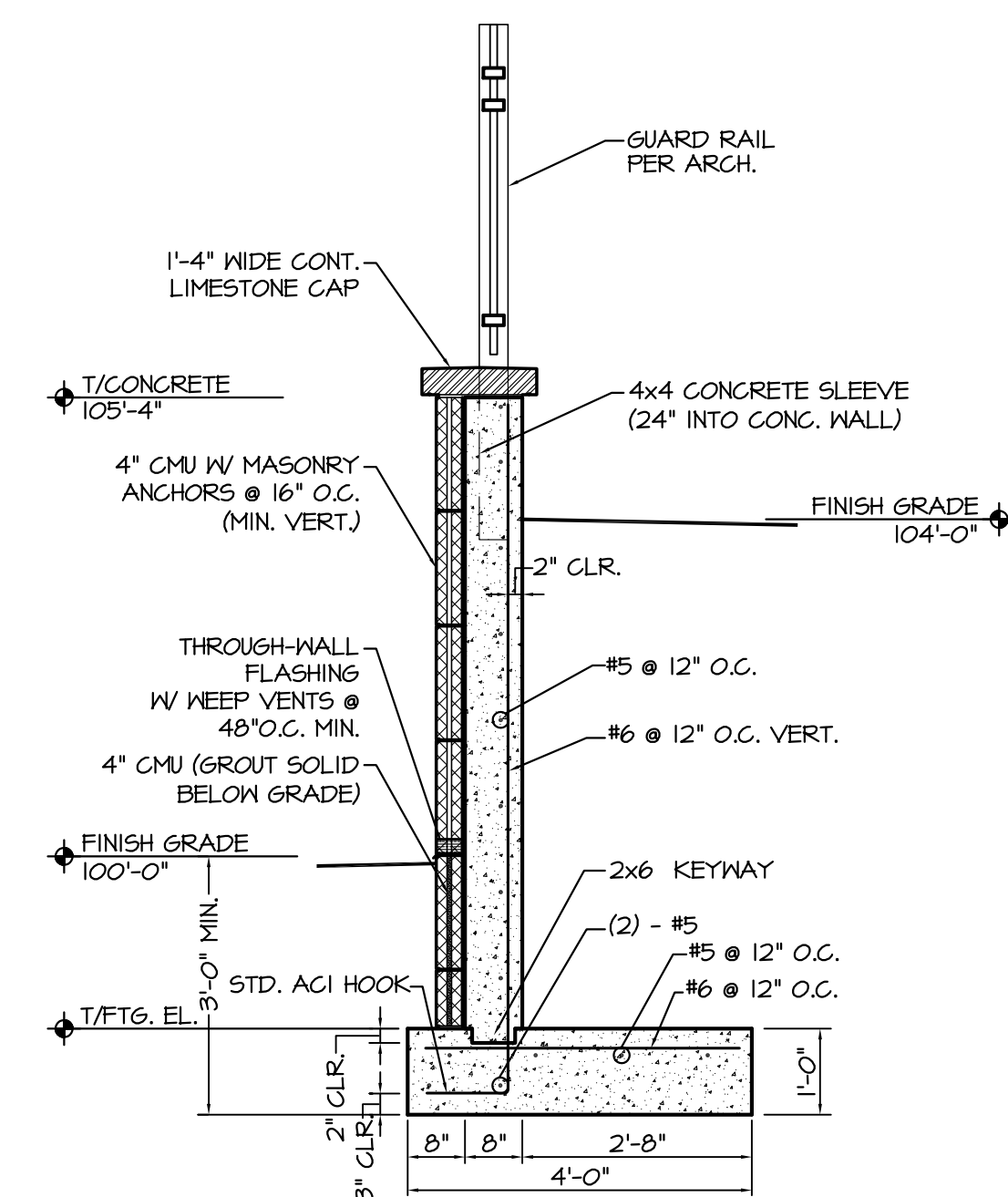
REVISIONS	
1	---
2	---
3	---
4	---

PROJECT NO. 0729

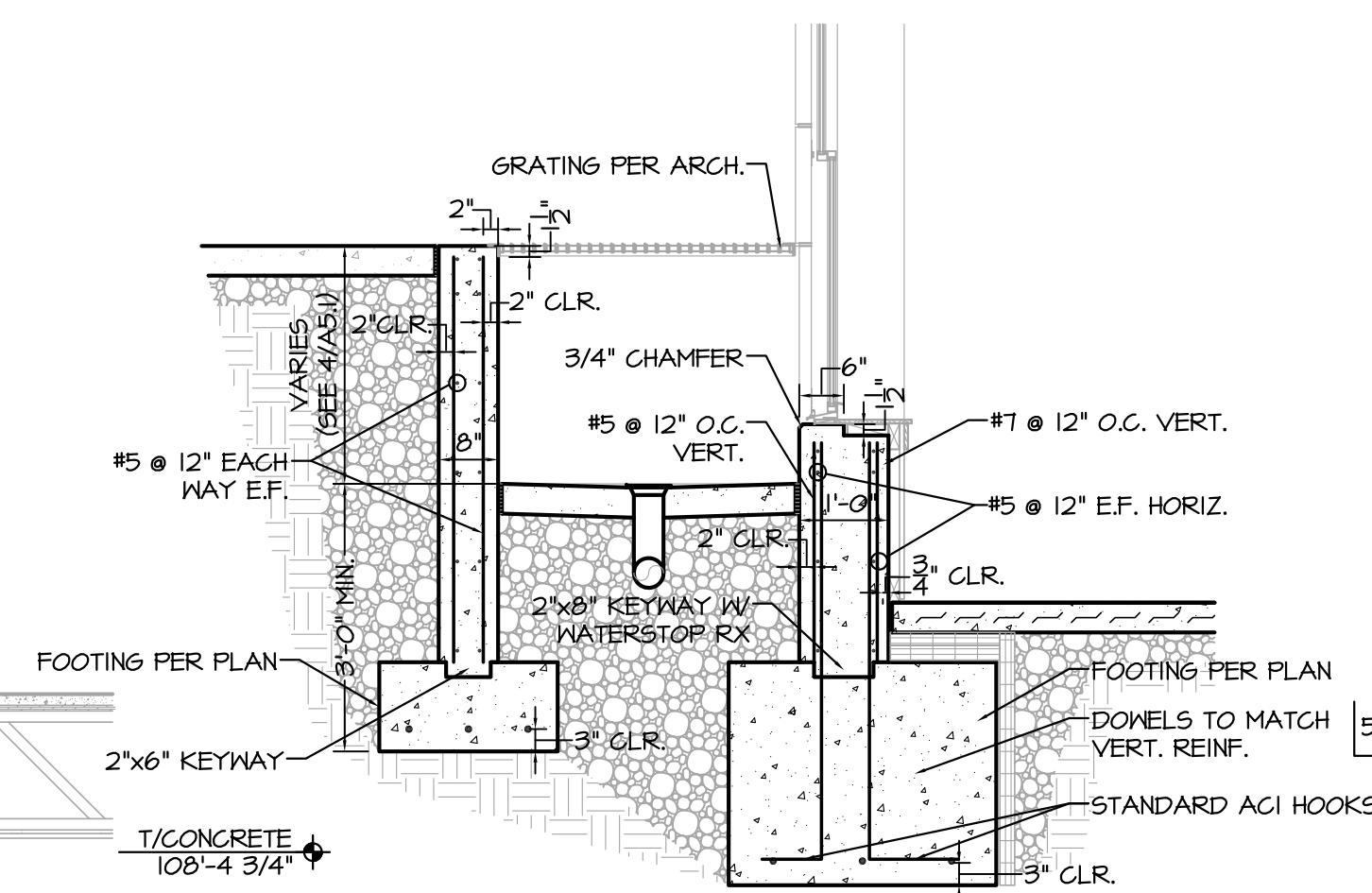
DATE DECEMBER 5, 2008

DRAWING NO.

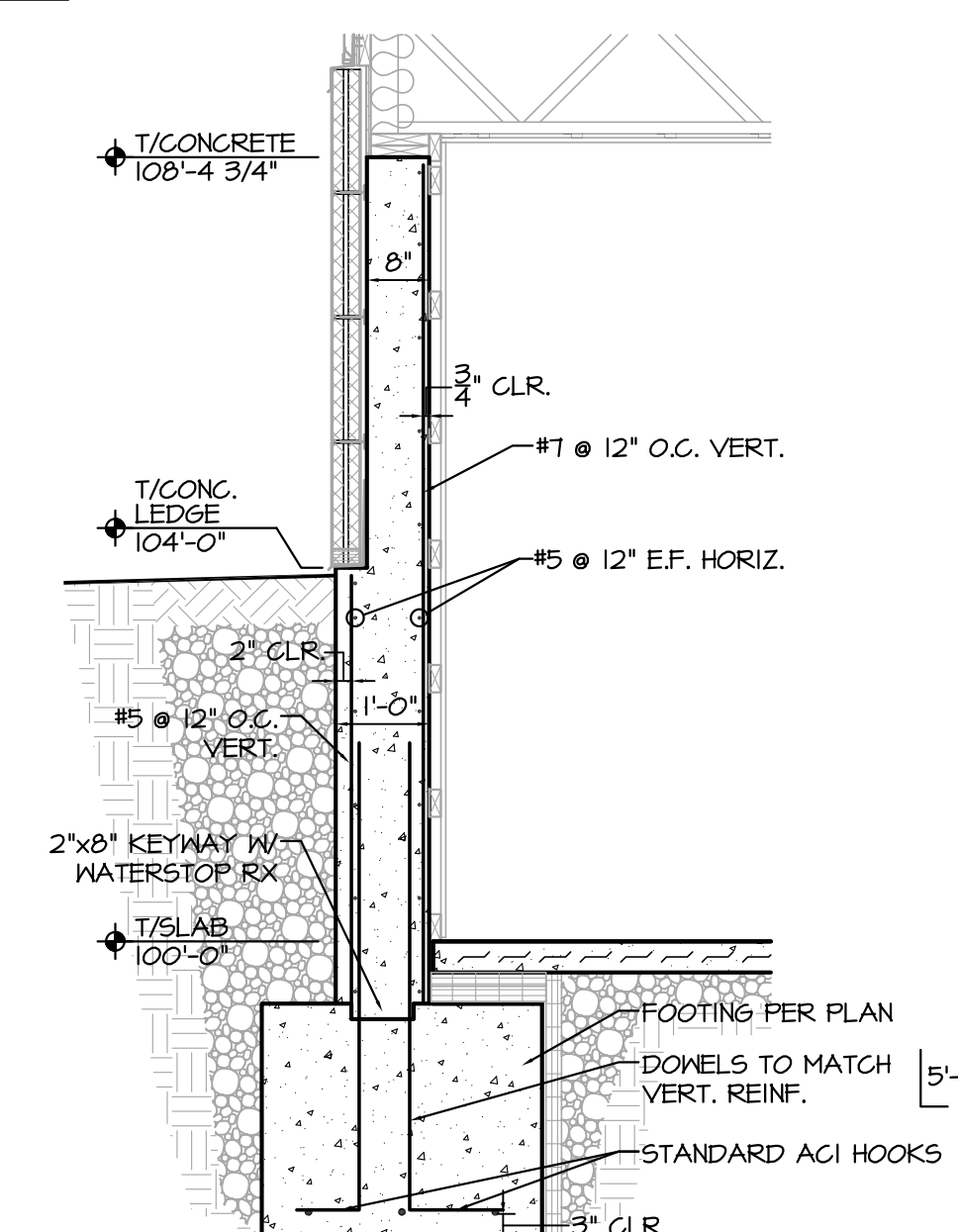
F1.2



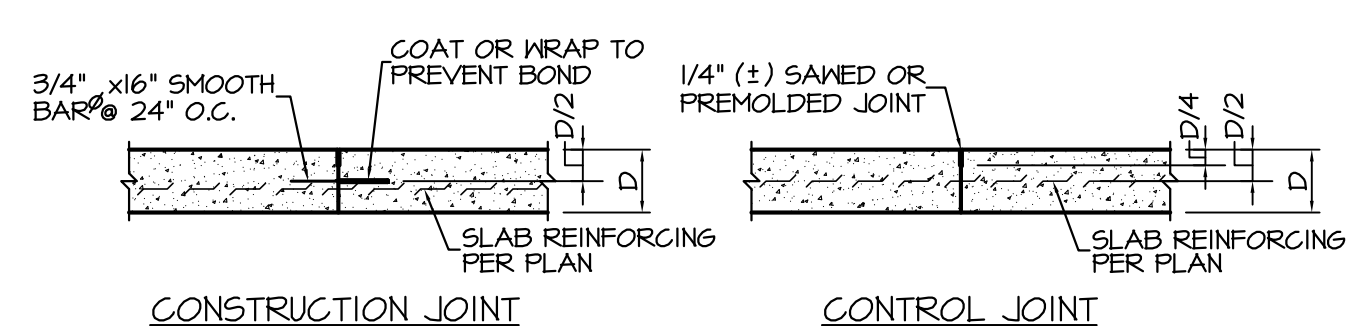
3 RETAINING WALL SECTION
SCALE: 1/2" = 1'-0"



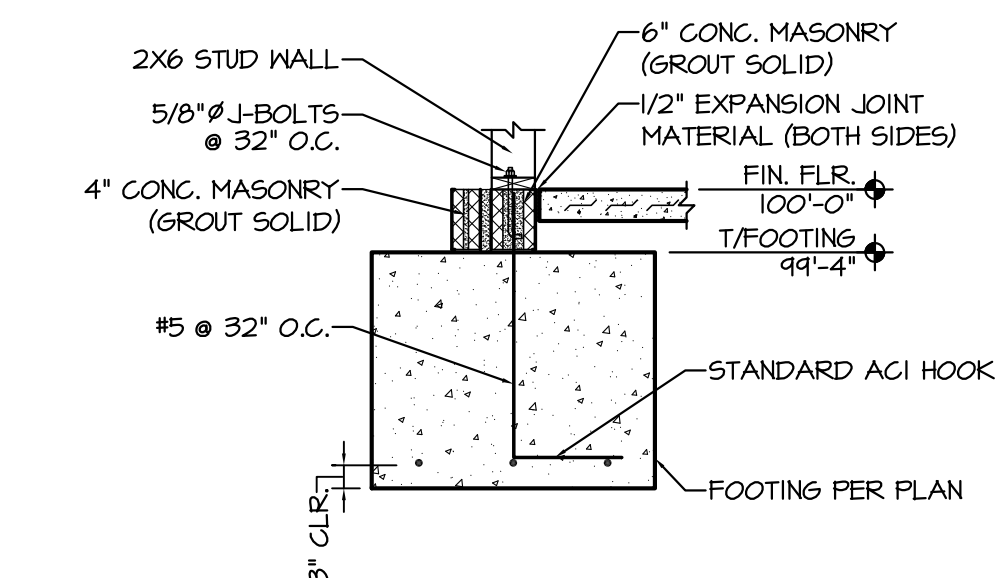
2 WINDOW WELL FOUNDATION WALL SECTION
SCALE: 1/2" = 1'-0"



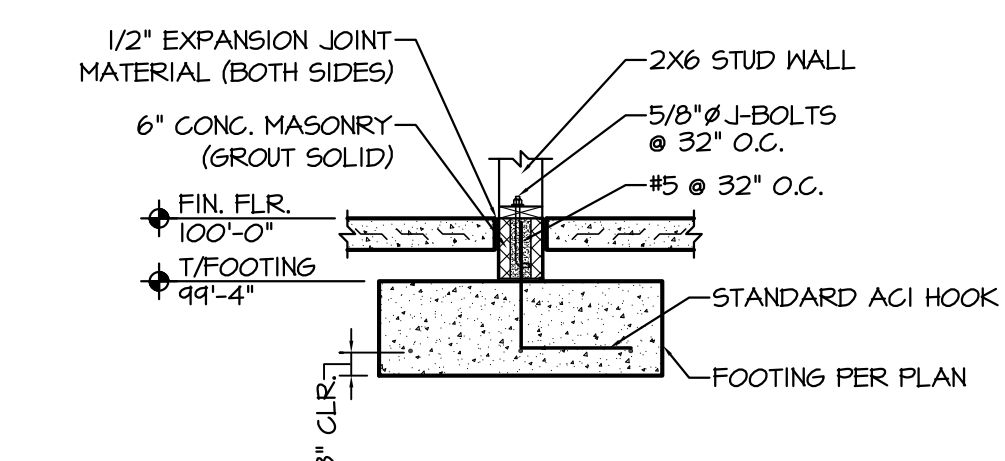
1 FOUNDATION WALL SECTION
SCALE: 1/2" = 1'-0"



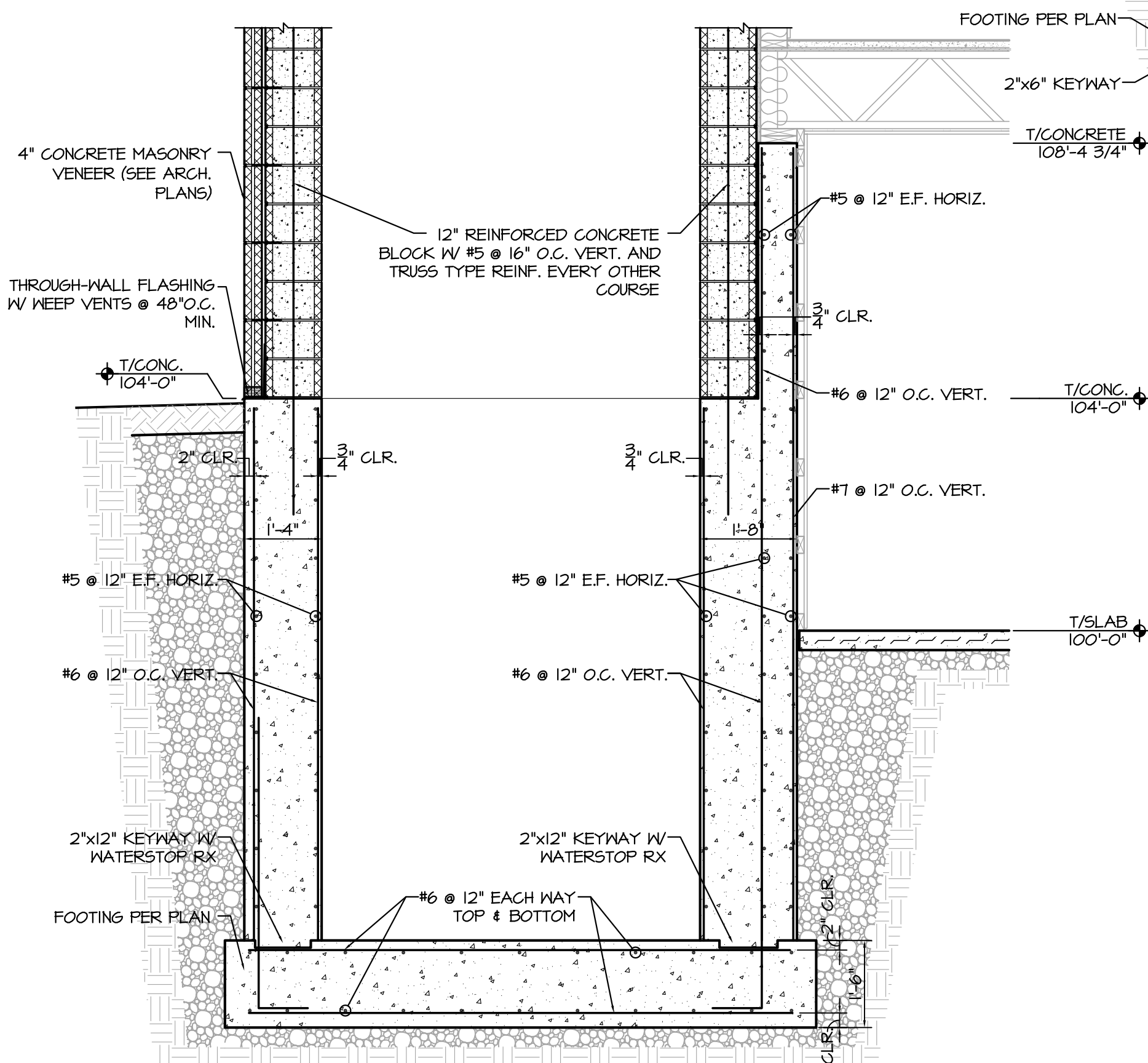
7 TYP. SLAB ON GRADE JOINTS
NO SCALE



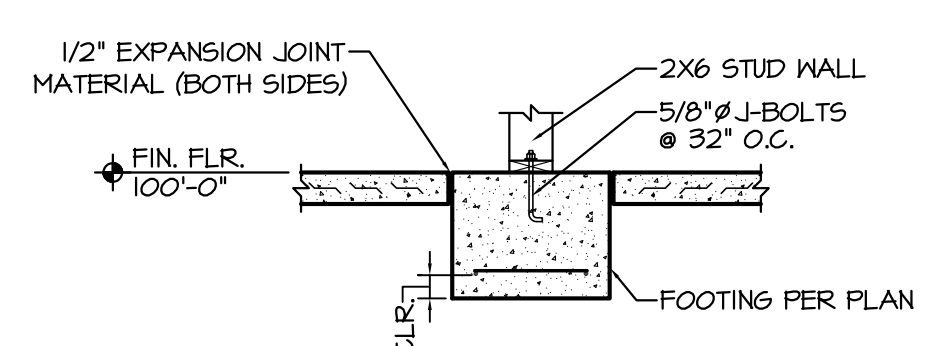
6 TYPICAL EXTERIOR FOOTING
SCALE: 1/2" = 1'-0"



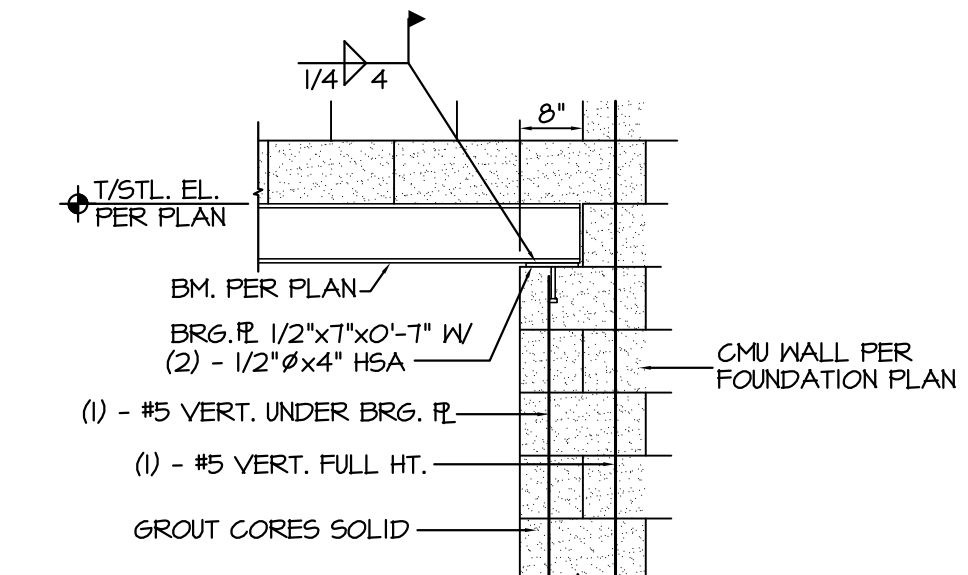
5 TYPICAL INTERIOR FOOTING
SCALE: 1/2" = 1'-0"



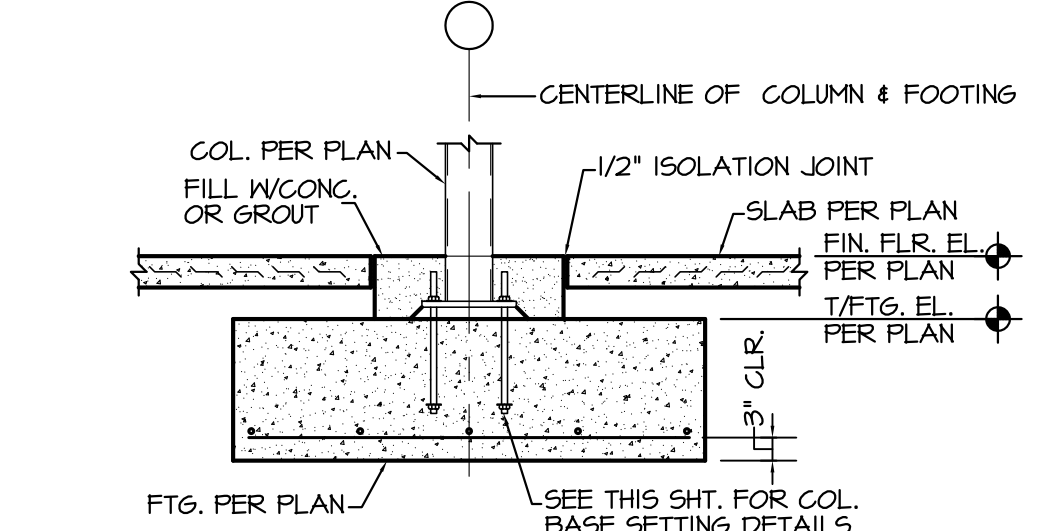
4 FOUNDATION WALL SECTION
SCALE: 1/2" = 1'-0"



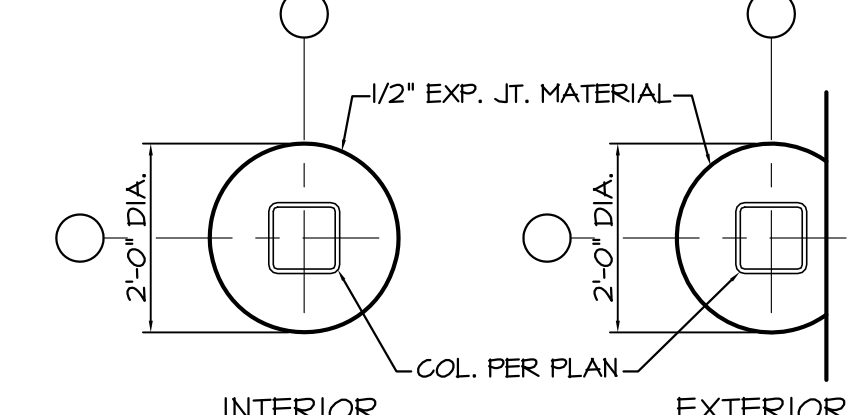
11 TYP. THICKENED SLAB
SCALE: 1/2" = 1'-0"



10 TYP. BEAM BEARING DETAIL
NO SCALE



9 TYP. COL. FOOTING SECTION
NO SCALE



8 TYP. COL. ISOLATION JOINTS
NO SCALE