

Scopo
design group, LLC
Architecture Planning Interiors
1930 San Marco Blvd., Suite 203
Jacksonville, Florida 32207
T 904 253 3902 F 904 253 3906
www.scopodesigngroup.com
AA26001292

PROJECT ENGINEER
DARYL A. BRYAN, PE
FLORIDA LICENSE NO. 65272

THE OHMEGA GROUP
CONSULTING ENGINEERS
1622 SAN MARCO BLVD
JACKSONVILLE, FLORIDA 32207
T (904) 807-6812 F (904) 807-6800
WWW.OHMEGAGROUP.COM
FLORIDA C.O. NO. 22911
ELECTRICAL ENGINEER
MARK A. MORLEY, PE
FLORIDA PE NO. 15813
MECHANICAL ENGINEER
DARYL A. BRYAN, PE
FLORIDA PE NO. 65272

PROJECT TEAM
OWNER
COMMUNITY REHABILITATION
CENTER
904-358-1211
LANDLORD
PEARL PLAZA PARTNERS, LLC
904-537-6166
ARCHITECT
SCOPO DESIGN GROUP, LLC
904-253-3902
M/E/P ENGINEER
THE OHMEGA GROUP, LLC
904-807-6512

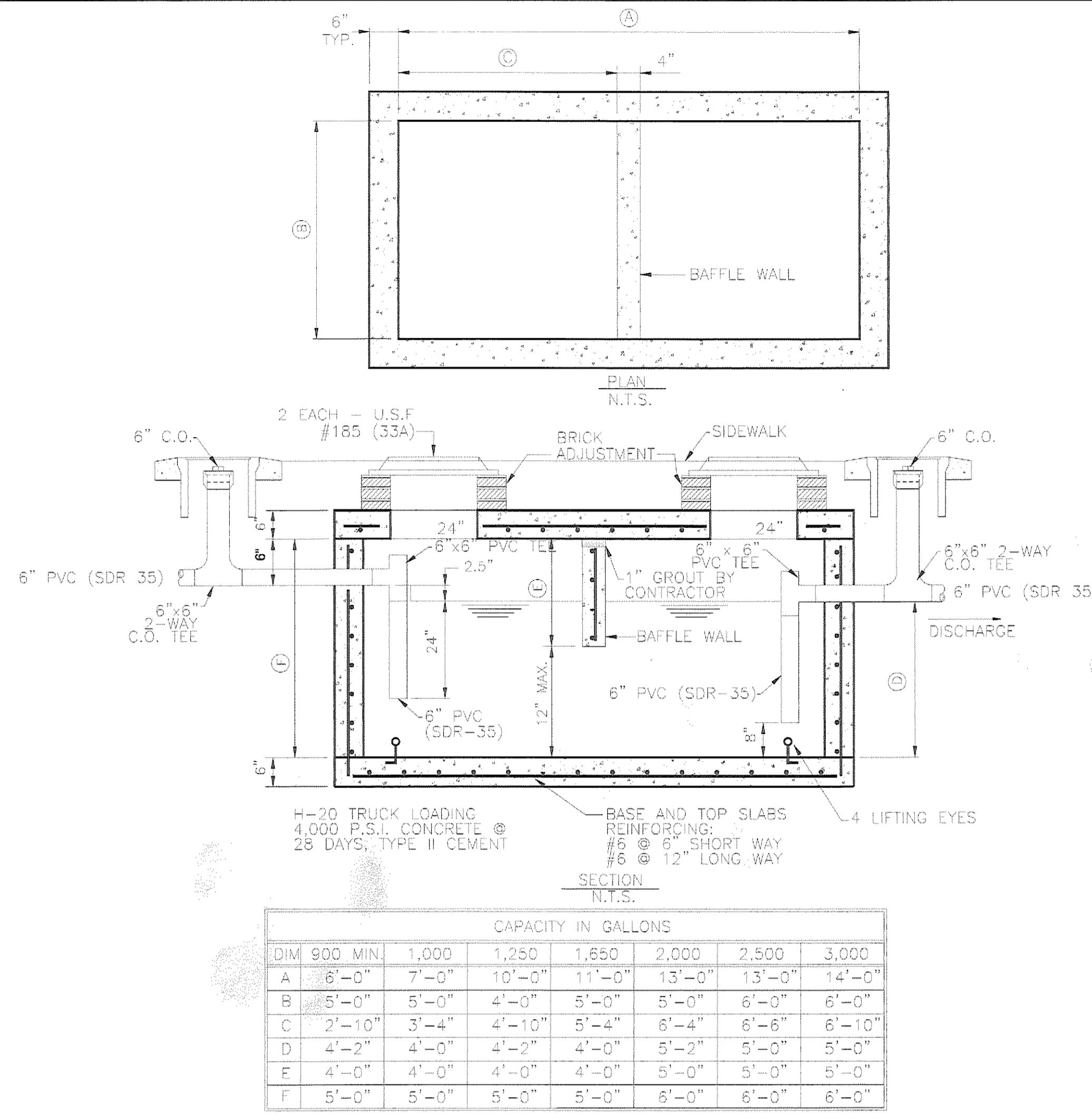
DATE	ISSUE
08 JUL 2008	PERMIT

EXISTING CONDITIONS
CRC SANDWICH SHOP
PEARL PLAZA SHOPPING CENTER
5323 SPRINGFIELD AVENUE
JACKSONVILLE, FLORIDA 32208
PLUMBING SCHEDULES,
AND DETAILS

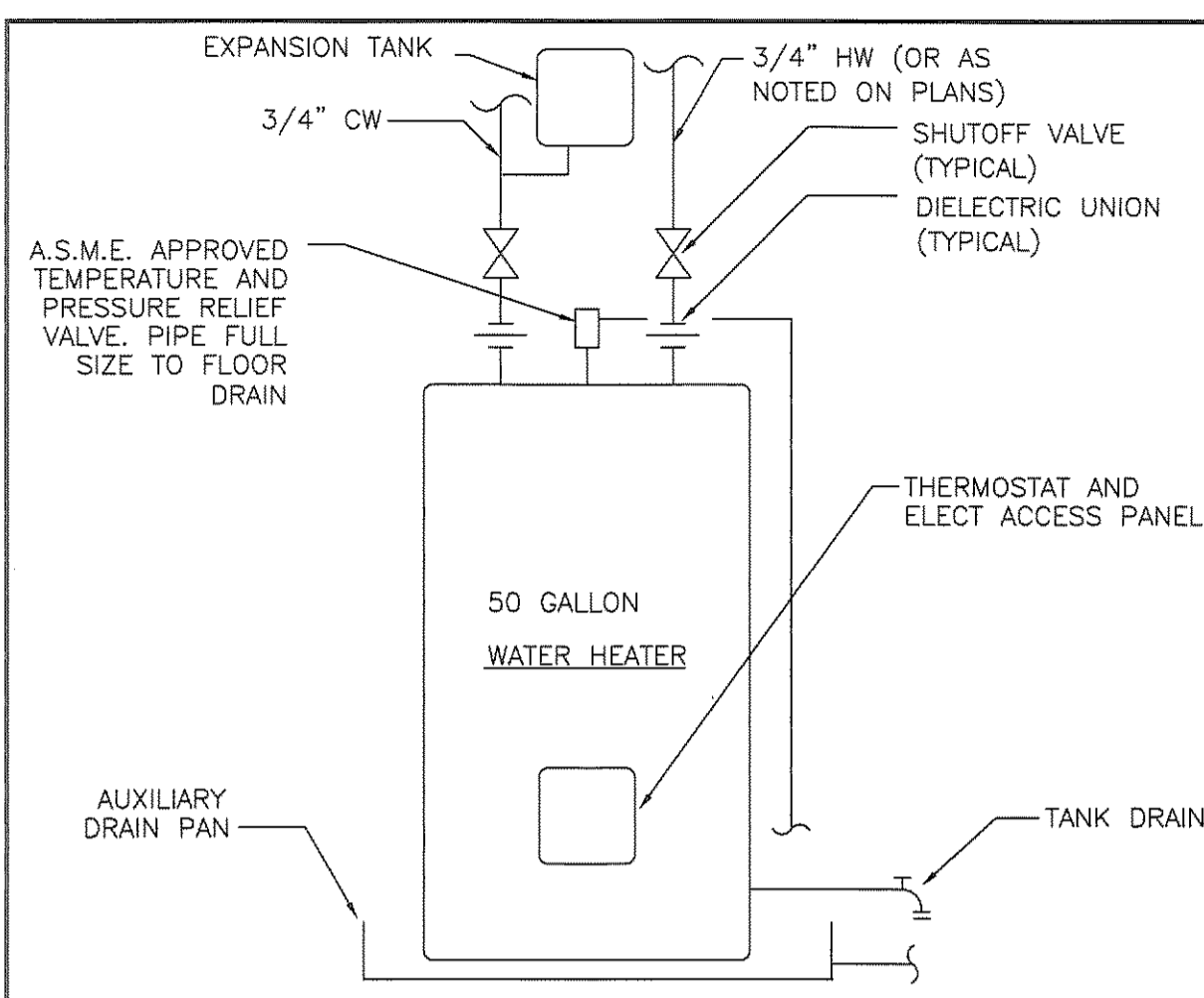
PROJECT NO: 00158-0708
DRAWN BY: DAB
CHECKED BY: MAM
SHEET NO:
P1.3
SHEET

PLUMBING FIXTURE SCHEDULE

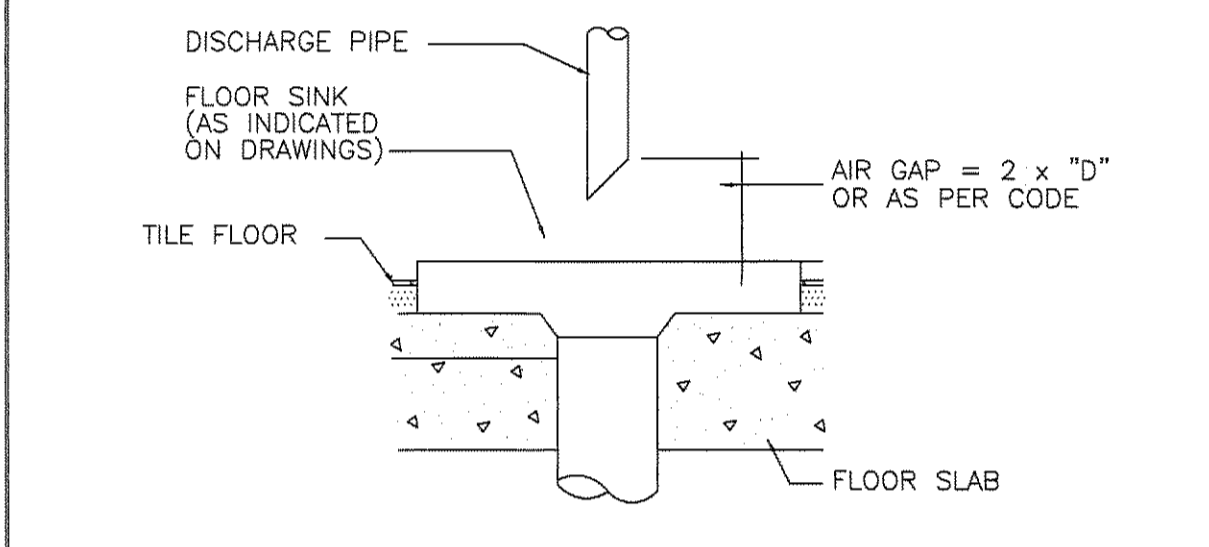
TAG	MANUFACTURER	MODEL	DESCRIPTION	PIPE SIZES			
				CW	HW	SAN	VENT
FCO	WADE	8000	CAST IRON CLEANOUT w/ THREADED ADJUSTABLE HOUSING, REMOVABLE THREAD SHIELD, PLASTIC GASKETED PLUG AND ROUND SECURED NICKEL BRONZE SCORATED TOP	-	-	4"	2"
FD-1	WADE	1104STD6,27	CAST IRON FLOOR DRAIN w/ FLANGE, INTEGRAL REVERSIBLE CLAMPING COLLAR, SEEPAGE OPENINGS, 1/2" PLUGGED PRIMER TAP, 6" ROUND NICKEL BRONZE STRAINER w/ VANDAL PROOF SCREWS AND SEDIMENT BUCKET	-	-	4"	2"
FS-1	WADE	9144	CAST IRON 12" SQUARE FLOOR SINK w/ 8" SUMP, PORCELAIN COATED INTERIOR, PLASTIC DOME STRAINER AND NICKEL BRONZE 1/2" GRATE	-	-	4"	2"
LAV-1	AMERICAN STANDARD	0356.041	WALL HUNG, ADA COMPLIANT LAVATORY, VITREOUS CHINA w/ WALL HANGERS	3/4"	3/4"	1 1/2"	2"
	T&S BRASS	B-0892	GOOSE NECK FAUCET w/ WRIST BLADE HANDLES	-	-	-	-
	T&S BRASS	B-199-01-.5	0.5 GPM FLOW RESTRICTING AERATOR	-	-	-	-
	POWERS	e480-00	TEMPERING VALVE	-	-	-	-
			1 1/2" P-TRAP, STANDARD STOP LAVATORY SUPPLY KIT	-	-	-	-
MB-1	ADVANCE TABCO	9-OP-20	20"x16"x6" FLOOR MOUNTED SERVICE SINK	3/4"	3/4"	2"	2"
	ADVANCE TABCO	K-240	SERVICE FAUCET	-	-	-	-
	ADVANCE TABCO	K-242	MOP HANGER	-	-	-	-
	ADVANCE TABCO	K-244	HOSE AND HANGER	-	-	-	-
SK-1	ADVANCE TABCO	7-PS-60	STAINLESS STEEL, 14"x10" WALL MOUNT SINK w/ SPLASH MOUNTED FAUCET, BASKET DRAIN, AND WALL BRACKET	3/4"	3/4"	1 1/2"	2"
	POWERS	e480-00	TEMPERING VALVE	-	-	-	-
			STANDARD LAVATORY SUPPLY KIT, 1 1/2" P-TRAP,	-	-	-	-
SK-2	ADVANCE TABCO	7-PS-60	STAINLESS STEEL, 14"x10" WALL MOUNT SINK w/ SPLASH MOUNTED FAUCET, BASKET DRAIN, AND WALL BRACKET	3/4"	3/4"	1 1/2"	2"
	POWERS	e480-00	TEMPERING VALVE	-	-	-	-
			STANDARD LAVATORY SUPPLY KIT, 1 1/2" P-TRAP,	-	-	-	-
SK-3	ADVANCE TABCO	T9-22-40-18RL-X	STAINLESS STEEL, 2-COMPARTMENT SINK w/ 8" HIGH SPLASH, GALVANIZED TUBULAR LEGS w/ PLASTIC FEET	3/4"	3/4"	-	-
	FISHER	2110-WB	PRE-RINSE ASSEMBLY, SPRING STYLE, SINGLE DECK CONTROL w/ SPRING ACTION FLEXIBLE GOOSENECK w/ SPRAY HEAD & WALL BRACKET	-	-	-	-
	FISHER	2901-14	ADD-ON FAUCET, 14" SWING SPOUT AND RIGID CONTROL VALVES	-	-	-	-
SK-4	ADVANCE TABCO	T9-3-54-18RL-X	STAINLESS STEEL, 3-COMPARTMENT SINK w/ 8" HIGH SPLASH, GALVANIZED OPEN FRAM BASE w/ CROSSRAILS	3/4"	3/4"	-	-
	FISHER	2110-WB	PRE-RINSE ASSEMBLY, SPRING STYLE, SINGLE DECK CONTROL w/ SPRING ACTION FLEXIBLE GOOSENECK w/ SPRAY HEAD & WALL BRACKET	-	-	-	-
	FISHER	2901-14	ADD-ON FAUCET, 14" SWING SPOUT AND RIGID CONTROL VALVES	-	-	-	-
WC-1	AMERICAN STANDARD	2234.015	CHAMPION 4 ELONGATED BOWL, LOW CONSUMPTION, ONE-PIECE, VITREOUS CHINA WATER CLOSET, ELONGATED TOILET SEAT AND COVER, WAX RING, CLOSET BOLTS, STANDARD STOP CLOSET SUPPLY KIT	3/4"	-	4"	2"
WH-1	A.O. SMITH	DEL-50	50 GALLON ELECTRIC WATER HEATER, DUAL ELEMENT, 6000 WATTS 208-1-60, 28.8 FULL LOAD AMPS; EXPANSION TANK, T&P RELIEF VALVE, VACUUM RELIEF VALVE, EMPTY WEIGHT = 166 POUNDS, APPROXIMATE FULL WEIGHT = 583 POUNDS	-	-	-	-



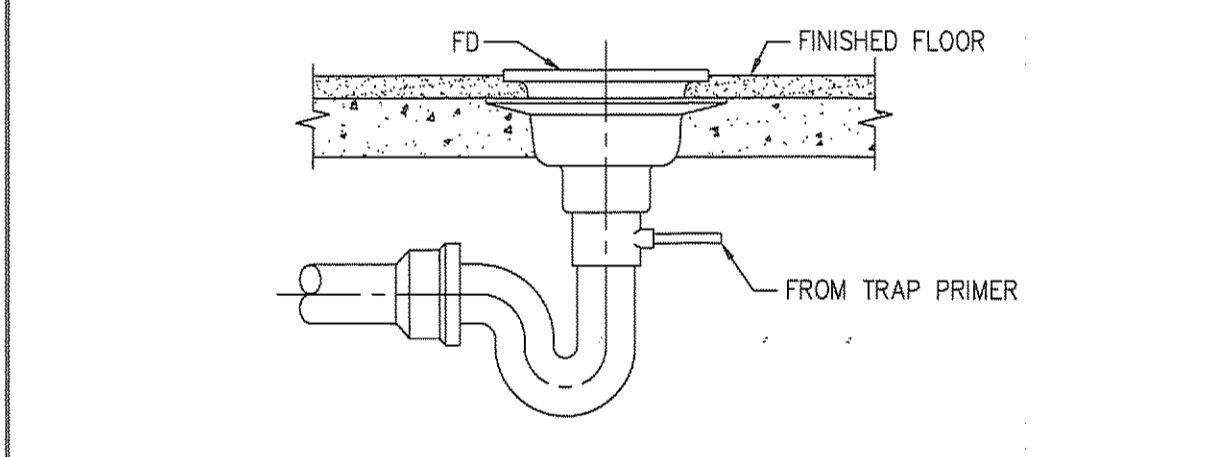
COMPLIES WITH A.S.T.M. C-913, PRECAST CONCRETE WATER AND WASTEWATER STRUCTURES AND A.S.T.M. C-890, MINIMUM STRUCTURAL DESIGN LOADING FOR MONOLITHIC OR SECTIONAL PRECAST CONCRETE WATER AND WASTEWATER STRUCTURES



WATER HEATER
SCALE: NTS



FLOOR SINK w/ AIR GAP
SCALE: NTS



FLOOR DRAIN
SCALE: NTS

GREASE INTERCEPTOR
SCALE: NTS

Scopo Design Group, LLC, hereby expressly reserves the rights to this drawing and it is not to be reproduced or copied in any format or manner whatsoever without first obtaining permission and consent.