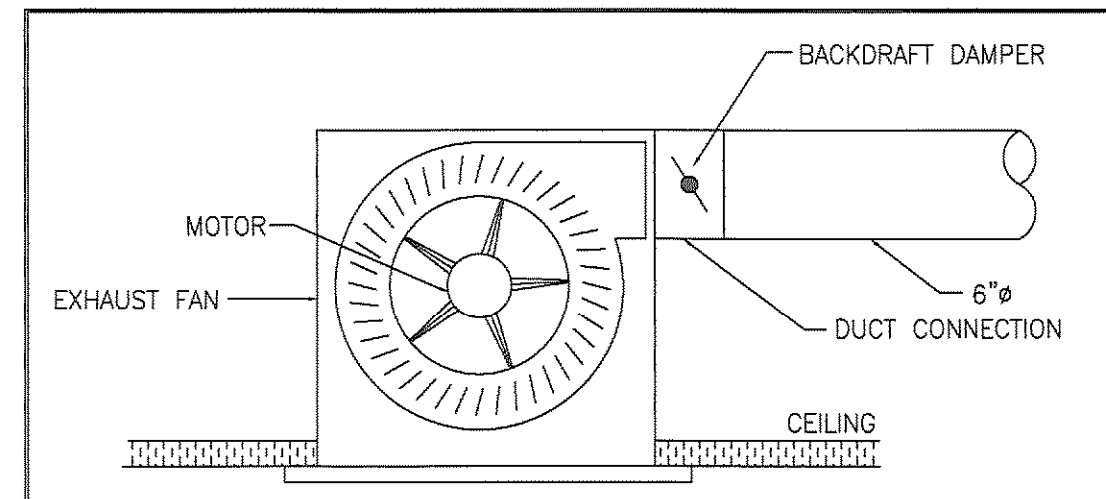


RTU X

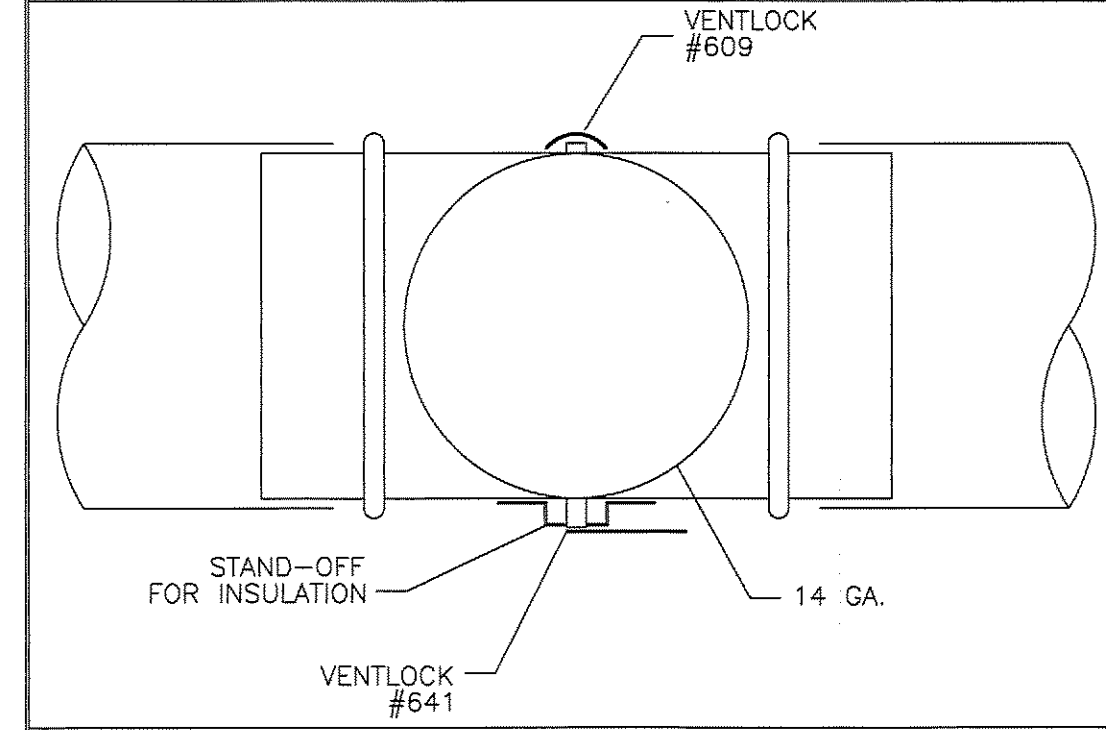
SINGLE PACKAGED (ROOFTOP UNIT) SCHEDULE

TAG	MANU-FACTURER	MODEL	SEER	HPSF	COP	REFRIG. CHARGE		FAN			COOLING				HEATING		ELECTRICAL				WEIGHT (LBS)	SIZE WxLxH (INCHES)	ROOF OPENING (INCHES)	REMARKS			
						R-410A (LBS)	TOTAL AIR (CFM)	OUTDOOR AIR (CFM)	EXTERNAL S.P. (w.g.)	HP	ENT. AIR DB (°F)	WB (°F)	COOLING LGV. AIR DB (°F)	WB (°F)	SENSIBLE (MBH)	TOTAL (MBH)	TOTAL kw	VOLTS	Ø	Hz					MCA	MOC	
RTU-1	TRANE	WSC060E3	13	8.0	3.50	10.6	2,000	500	1.00	1	76.8	65.0	56.7	55.4	35.8	62.7	17.3	58.5	208	3	60	90.2	100	1063	53 1/2" x 85 1/2" x 40 1/2"	46" x 46"	1 - 14

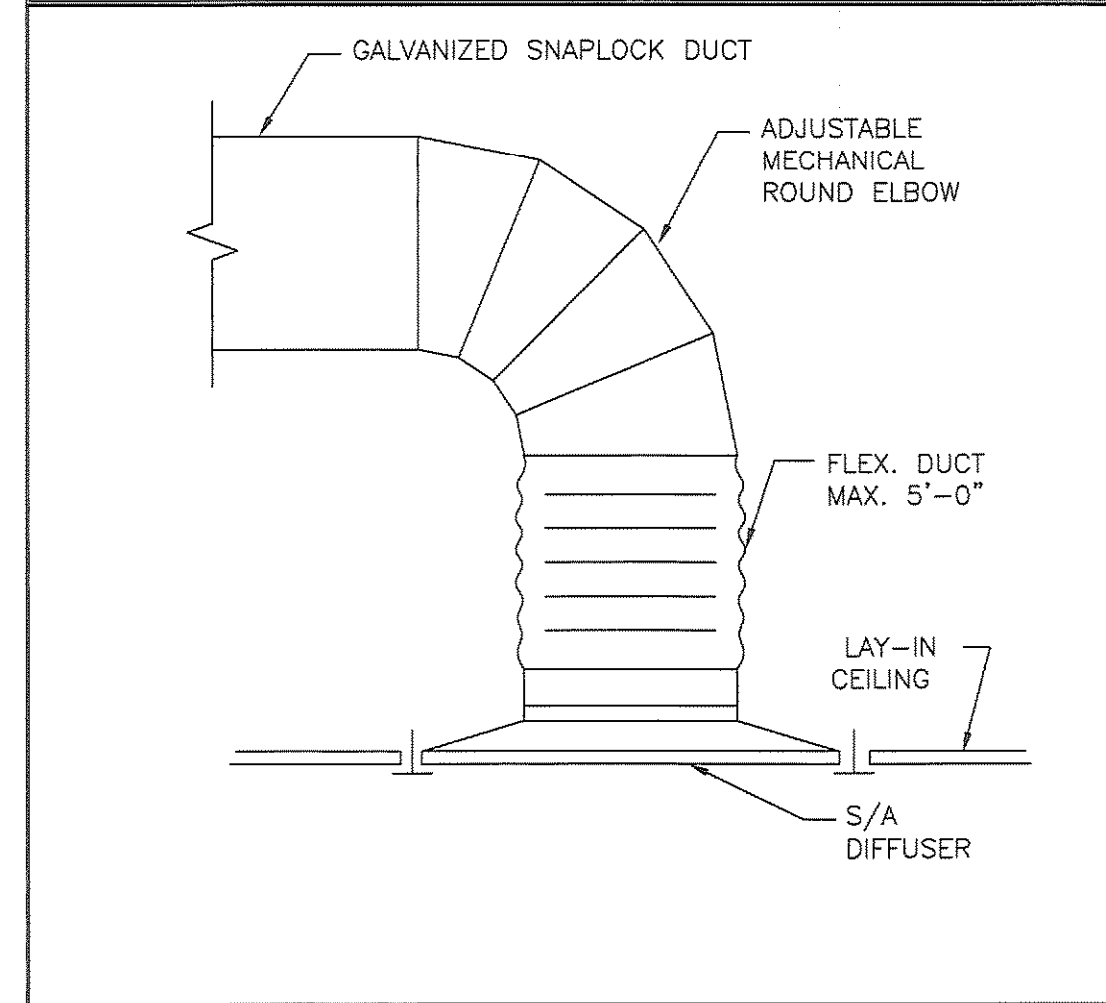
REMARKS:
 1. UNIT SHALL BE DOWNFLOW
 2. PROVIDE 14" ROOF CURB
 3. THROUGH THE BASE ELECTRICAL CONNECTIONS
 4. UNIT MOUNTED DISCONNECT SWITCH
 5. UNIT MOUNTED CONVENIENCE OUTLET
 6. BELT DRIVE MOTOR
 7. HINGED ACCESS PANELS
 8. 2" PLEATED FILTERS
 9. MOTORIZED OUTDOOR AIR DAMPER
 10. PROVIDE ELECTRIC HEATER (#BAYHTRX323A)
 11. SINGLE POINT POWER
 12. RETURN AIR SMOKE DETECTOR
 13. 2 STAGES ON ELECTRIC HEATER
 14. PROVIDE 7-DAY PROGRAMMABLE THERMOSTAT



CEILING MOUNTED FAN
SCALE: NTS



ROUND VOLUME DAMPER
SCALE: NTS



FLEXIBLE DUCT
SCALE: NTS

AIR DEVICE SCHEDULE

INDICATES S=SUPPLY, R=RETURN, E=EXHAUST, T=TRANSFER
 INDICATES AIR QUANTITY
 INDICATES DEVICE TYPE
 INDICATES DIRECTIONS OF BLOW
 INDICATES NECK SIZE SQUARE OR ROUND

TYPE	MANU-FACTURER	MODEL	STYLE	INSTALLATION TYPE	COLOR	SIZES		AIRFLOW		NECK VEL.		PERFORMANCE		REMARKS
						FACE	NECK	RANGE, CFM	RANGE, FPM	RANGE	AT 50 FPM			
A	PRICE	SCD	LOUVERED FACE	LAY-IN	WHITE	24x24	6"ø	110	550	-	5	1		
A	PRICE	SCD	LOUVERED FACE	LAY-IN	WHITE	24x24	10"ø	315	575	-	9	1		
B	PRICE	535D	LOUVERED FACE	LAY-IN	WHITE	24x24	22x22	630	200	-	4	1		
B	PRICE	535	LOUVERED FACE	LAY-IN	WHITE	24x24	22x22	1,370	400	23	-	-		

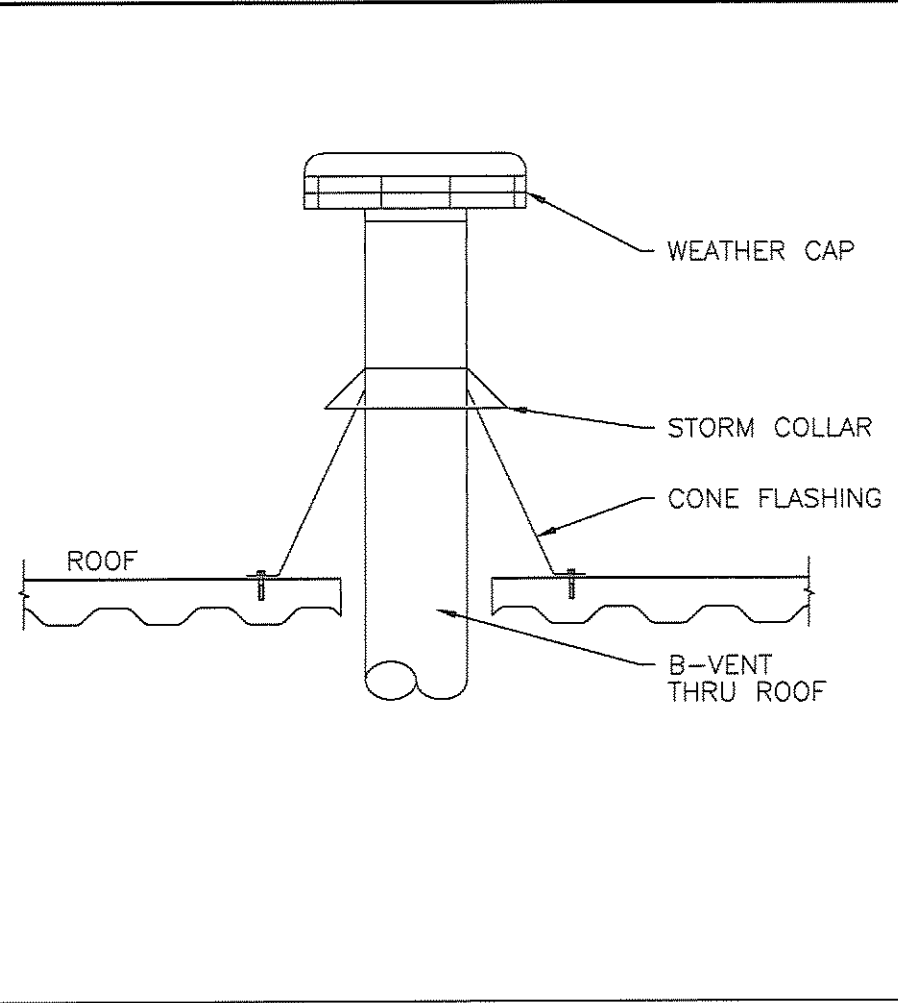
REMARKS:
1. BLANKS (-) INDICATE AN NC LEVEL BELOW 15

EF X

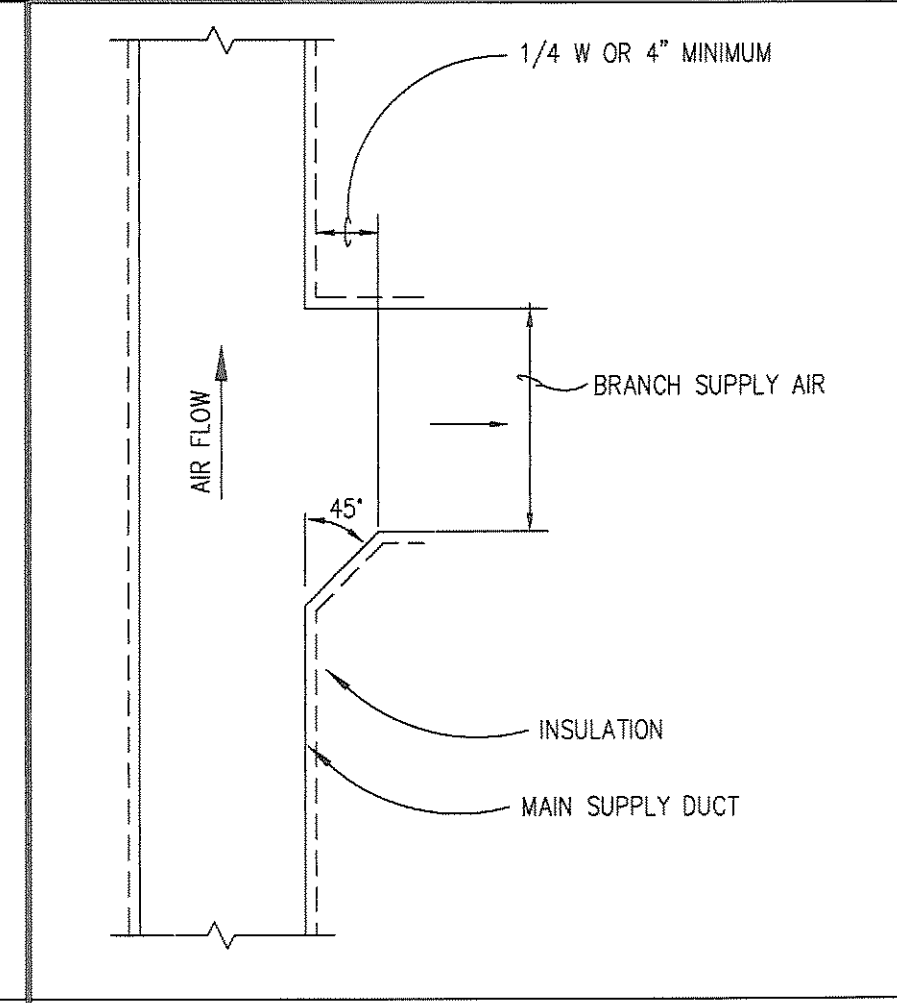
EXHAUST FAN SCHEDULE

TAG	MANU-FACTURER	MODEL	WEIGHT (LBS)	AIRFLOW DATA			MOTOR HP	RPM	ELECTRICAL DATA			REMARKS
				CFM	S.P.	HP			VOLTS	Ø	Hz	
EF-1	GREENHECK	SP-B50	10	50	0.125	38 (W)	625	115	1	60	1 - 5	
EF-2	GREENHECK	SP-B50	10	50	0.125	38 (W)	625	115	1	60	1 - 5	

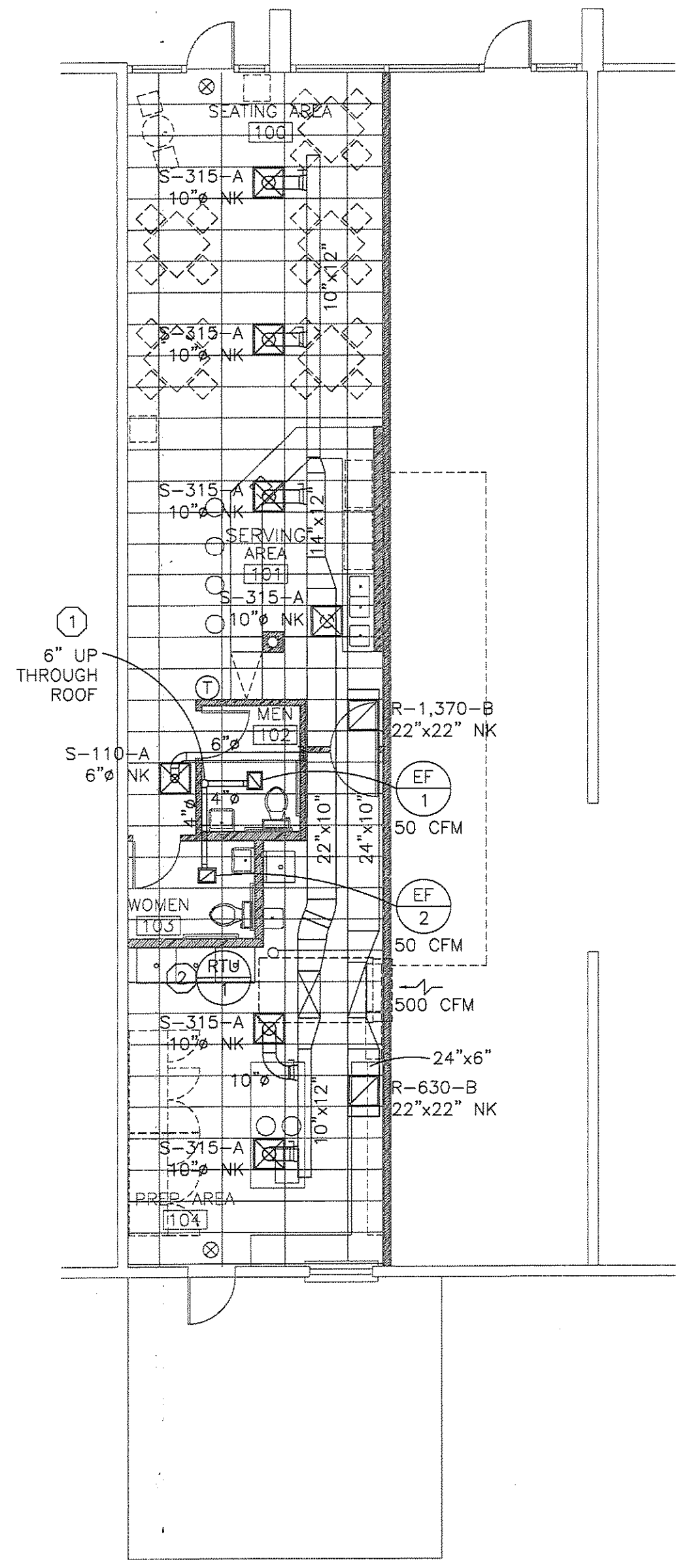
REMARKS:
 1. MOTOR w/ THERMAL OVERLOAD
 2. DUAL 13 WATT LIGHT BULBS
 3. FROSTED LENS
 4. U.L. LISTED
 5. ISOLATION KIT



VENT CAP
SCALE: NTS



SQUARE TAKE-OFF
SCALE: NTS



FLOOR PLAN - MECHANICAL
SCALE: 1/8" = 1'-0"

- KEY NOTES**
- MECHANICAL CONTRACTOR SHALL PROVIDE 6" EXHAUST DUCT UP THROUGH ROOF. PROVIDE VENT CAP AND TALL CONE FLASHING. REFER TO DETAIL #4 ON THIS SHEET.
 - MECHANICAL CONTRACTOR SHALL VERIFY IN FIELD EXACT LOCATION OF BAR JOIST BEFORE MAKING ROOF PENETRATION FOR ROOFTOP UNIT (RTU-1).

SCOPO design group, LLC
Architecture Planning Interiors

1930 San Marco Blvd., Suite 203
Jacksonville, Florida 32207
T 904 253 3902 F 904 253 3906
www.scopodesigngroup.com
AA26001292

PROJECT ENGINEER
DARYL A. BRYAN, PE

FLORIDA LICENSE NO. 65272

THE OHMEGA GROUP
CONSULTING ENGINEERS

1465 SAN MARCO BLVD
JACKSONVILLE, FLORIDA 32207
T: (904) 807-6512 F: (904) 807-6555
WWW.OHMEGAGROUP.COM
FLORIDA CDA NO. 25811

PROJECT TEAM

OWNER
COMMUNITY REHABILITATION CENTER
904-358-1211

LANDLORD
PEARL PLAZA PARTNERS, LLC
904-537-6186

ARCHITECT
SCOPO DESIGN GROUP, LLC
904-253-3902

M/E/P ENGINEER
THE OHMEGA GROUP, LLC
904-807-6512

DATE	ISSUE
08 JUL 2008	PERMIT

EXISTING CONDITIONS
CRC SANDWICH SHOP
 PEARL PLAZA SHOPPING CENTER
 5323 SPRINGFIELD AVENUE
 JACKSONVILLE, FLORIDA 32208

MECHANICAL FLOOR PLAN, SCHEDULES AND DETAILS

PROJECT NO: 00158-0708
 DRAWN BY: DAB
 CHECKED BY: MAM
 SHEET NO:

M2.1

SHEET

Scopo Design Group, LLC. hereby expressly reserves the rights to this drawing and it is not to be reproduced or copied in any format or manner whatsoever without first obtaining permission and consent.