



# Submittal Comments

**Item No:** 224500-01  
**(CSI No:)**

**Item Descript:** Emergency Plumbing Fixtures

**Re:** **Submittal** Comments  
**Cascade Science** Lab Renovation  
**2008-046.CSL** 8.3

*Architecture*  
*Engineering*  
*Technology*  
*Interior Design*  
*Landscape Architecture*

*Wil-Fra-Mar Building*  
*320 East Vermont Street*  
*Indianapolis IN 46204-1640*  
*317.263.6226*  
*317.263.6224 (fax)*  
*www.schmidt-arch.com*

Reviewed and checked only for conformance with design concepts and with the information given in the Contract Documents. Approval does not release the Contractor from the responsibility to provide appropriate quantities, field measurements, dimensional stability, installation, anchorage, and coordination with other trades or release the Contractor from responsibility for deviations from the requirements of the Contract Documents or from responsibility for errors and omissions contained thereon.

X	Reviewed as Submitted - No Resubmittal Required.
	Reviewed as Noted - No Resubmittal Required.
	Reviewed as Noted - Revise and Resubmit.
	Rejected - Revise and Resubmit.
	Not Required for Review - Returned.
By: Michael Perry	
Date: May 11, 2009	

Comments

Copy: File

## Tricia L. Smith

---

**From:** ken meiring [kenmeiring@kpmeiring.com]  
**Sent:** Wednesday, April 22, 2009 9:39 PM  
**To:** Tricia L. Smith  
**Subject:** Cascade Science Lab Renovation Submittal  
**Attachments:** 224500 - Emergency Plumbing Fixtures.pdf

Hello Trish,

Attached are submittals for section 224500 - Emergency Plumbing Fixtures.pdf

Thank you

Kenneth P. Meiring  
KP Meiring Company  
6519 North Carrollton Avenue  
Indianapolis, IN 46220-1616  
(317) 257 7506 x 3  
(317) 254 1305 fax  
[kenmeiring@kpmeiring.com](mailto:kenmeiring@kpmeiring.com)  
[www.kpmeiring.com](http://www.kpmeiring.com)



# S19-310BF, S19-310BFSS, S19-310DCBF, S19-310BFPB Barrier-Free Drench Shower and Eye/Face Wash Unit

- Complies with American National Standard Z358.1-2004
- Galvanized Steel Protected with BRADTECT™ Safety Yellow Coating or All Stainless Steel (S19-310BFSS)
- Universal Identification Sign and Inspection Tag Included
- Full, One-Year Warranty
- Patent Pending



## Specifications

Barrier-free design makes this combination drench shower and eye/face wash unit fully accessible to people with physical disabilities. Bradley meets accessibility codes by assuring proper placement of shower and eye/face wash components. Unit saves space and fits easily into any work environment. Shower valve operates quickly by a pull rod with a triangular handle. Shower provides a superior washdown with a more even spray pattern. Eye/Face Wash operated by a large, highly visible push handle. Safe, steady water flow under varying water supply conditions from 30–90 PSI is assured by integral flow control in the sprayhead assembly. NOTE: The ANSI Z358.1 standard requires an uninterrupted supply of flushing fluid at a minimum 30 PSI flowing pressure.

### cUPC Approved:

S19-310BF, S19-310BFSS, S19-310DCBF and S19-310BFPB are certified to comply with the requirements of the Uniform Plumbing Code and the National Plumbing Code of Canada by the International Association of Plumbing and Mechanical Officials (IAPMO).

## Standard Equipment

### SpinTec™ Showerhead

Standard showerhead is 3.1" (78.7mm) diameter highly visible yellow impact-resistant plastic. High performance corrosion-resistant stainless steel showerhead with hexagonal profile measures 1-9/16" (40mm) point-to-point (S19-310BFSS only).

### Shower Valve

Chrome-plated brass 1" NPT stay-open ball valve. Operated by a stainless steel pull rod with triangular handle. S19-310BFSS is all stainless steel.

### Eye/Face Wash Bowl

10" (254mm) diameter yellow impact-resistant plastic or 10-3/4" (273mm) diameter corrosion-resistant stainless steel. S19-310DCBF includes a 10-3/4" (273mm) diameter corrosion-resistant stainless steel dust cover.

### Standard Sprayhead Assembly

Chrome-plated brass sprayhead with twin, soft flow, eyewash heads and protective sprayhead covers. Safe, steady water flow under varying water supply conditions from 30–90 PSI is assured by integral flow control in the sprayhead assembly. S19-310BFSS is stainless steel.

### Eye/Face Wash Sprayheads (S19-310DCBF only)

Twin perforated-disc eye/face wash heads with protective pop-off sprayhead covers. Safe, steady water flow under varying water supply conditions from 30–90 PSI is assured by integral flow control in the sprayhead assembly.

### Eye/Face Wash Valve

Chrome-plated brass 1/2" NPT stay-open ball valve. Hand operated by highly visible safety yellow PVC push handle. S19-310BFSS is all stainless steel.

### Face Spray Ring

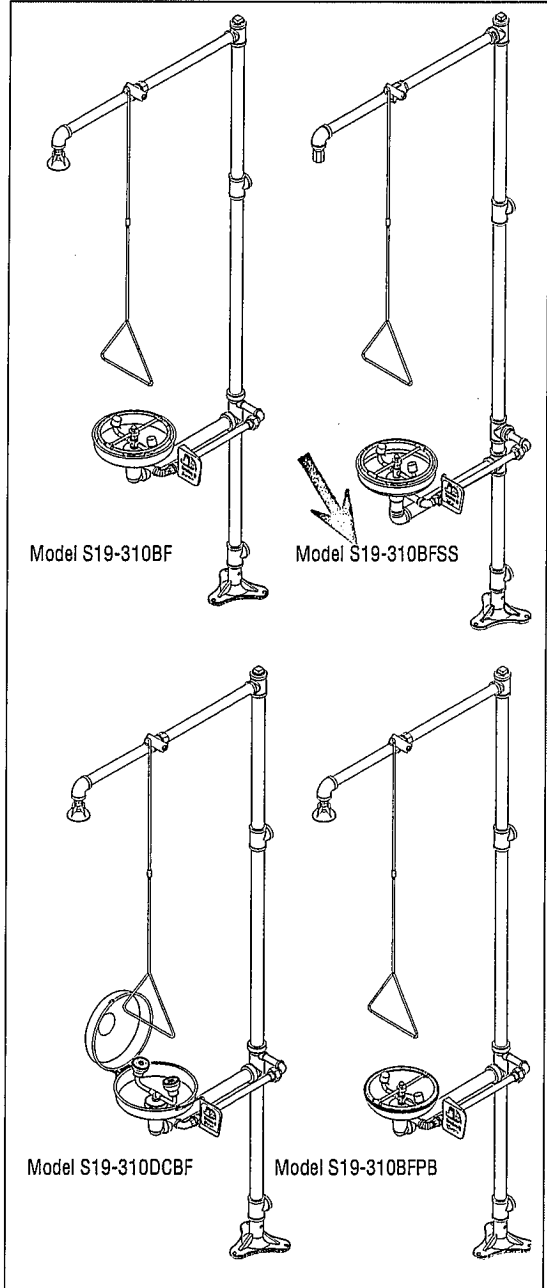
Chrome-plated circular spray ring provides supplemental face spray. Flow control assures adequate flow from eyewash nozzles and face spray ring from 30-90 PSI.

### Pipe and Fittings

1-1/4" galvanized steel with BRADTECT™ safety yellow coating. S19-310BFSS is stainless steel.

### Water Supply

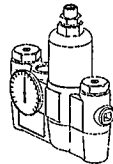
1-1/4" NPT.



### Recommended Option:

Navigator S19-2100 EFX25  
Emergency Thermostatic Mixing Valve

**NAVIGATOR**



Satisfies ANSI Z358.1-2004  
tepid water requirements.

Emergency Fixtures  
Document No. 4510

Page 1 of 3  
This information is subject to change without formal notice.  
9/29/08

**K.P. MEIRING CO**

CHECKED BY: KPM

DATE CHECKED: April 22, 2009

REVIEWED NO EXCEPTIONS: XX

REVIEWED WITH EXCEPTIONS: \_\_\_\_\_

REJECTED RESUBMIT: \_\_\_\_\_

The review is only for general conformance with design concepts given in the contract documents. Subcontractor is responsible for dimensions, quantities, coordination with other trades and performing his work in a safe manner. No change to contract requirements is intended.

© 2008 Bradley Corporation  
PO Box 300 Menomonee Falls, WI 53052-0309  
.3539) Fax: 262.253.4161  
bradleycorp.com

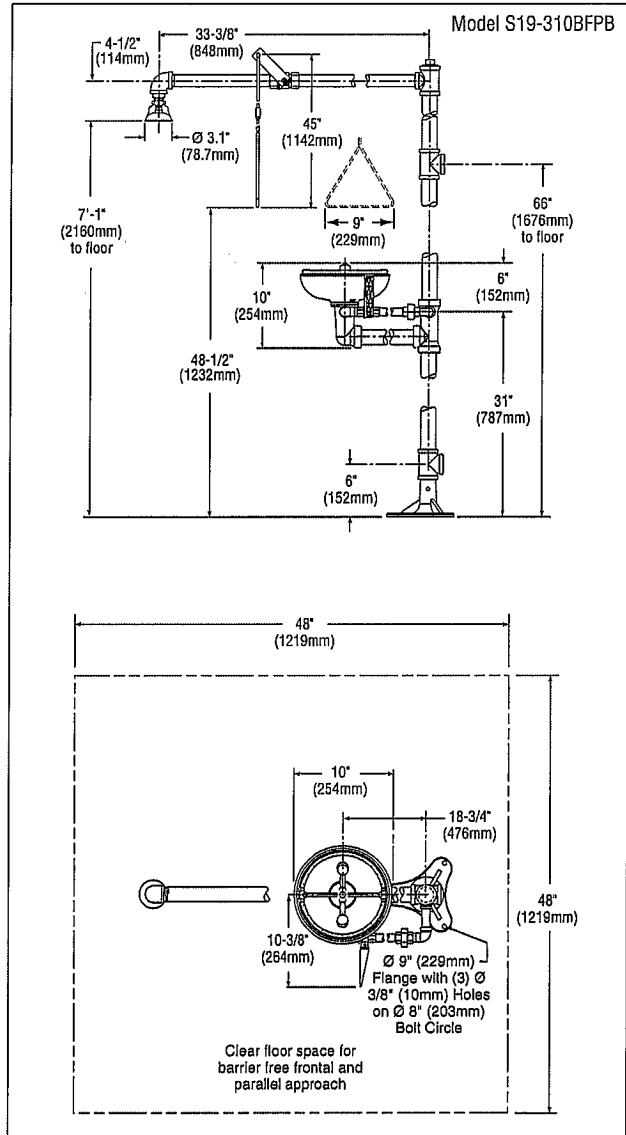
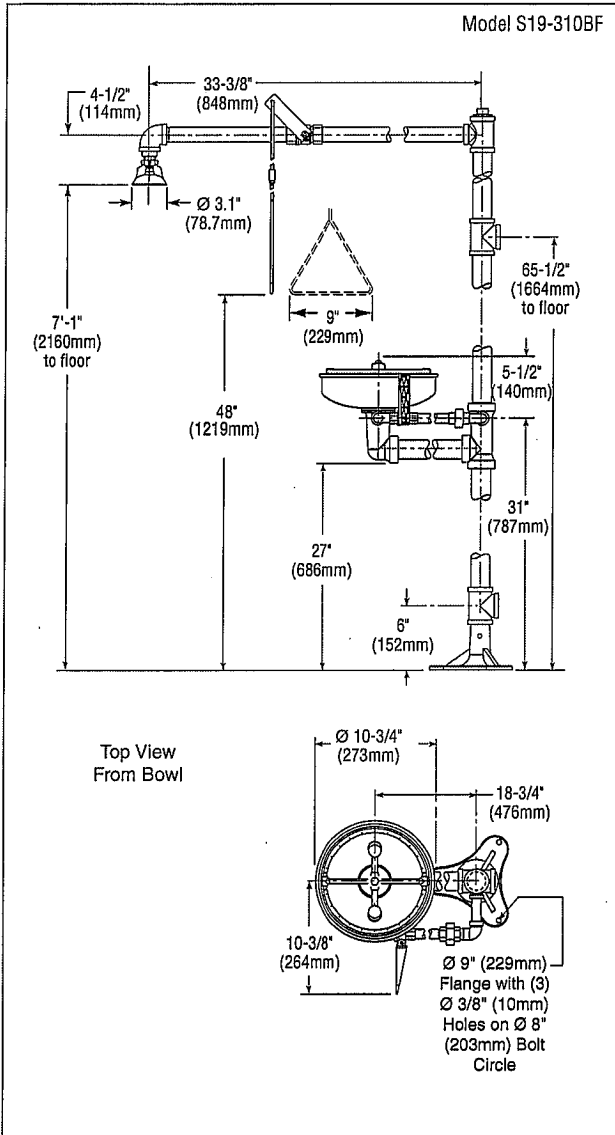


# S19-310BF, S19-310BFSS, S19-310DCBF, S19-310BFPB Barrier-Free Drench Shower and Eye/Face Wash Unit

Model	Description
<input type="checkbox"/> S19-310BF	Barrier-Free Drench Shower and Eye/Face Wash with Face Spray Ring and Stainless Steel Bowl
<input type="checkbox"/> S19-310BFPB	Barrier-Free Drench Shower and Eye/Face Wash with Face Spray Ring and Plastic Bowl
<input type="checkbox"/> S19-310BFSS	Barrier-Free Drench Shower and Eye/Face Wash with Face Spray Ring—All Stainless Steel Unit
<input type="checkbox"/> S19-310DCBF	Barrier-Free Drench Shower and Eye/Face Wash with Hinged Dust Cover
<input type="checkbox"/> S19-2100	Navigator EFX25 - Emergency Thermostatic Mixing Valve



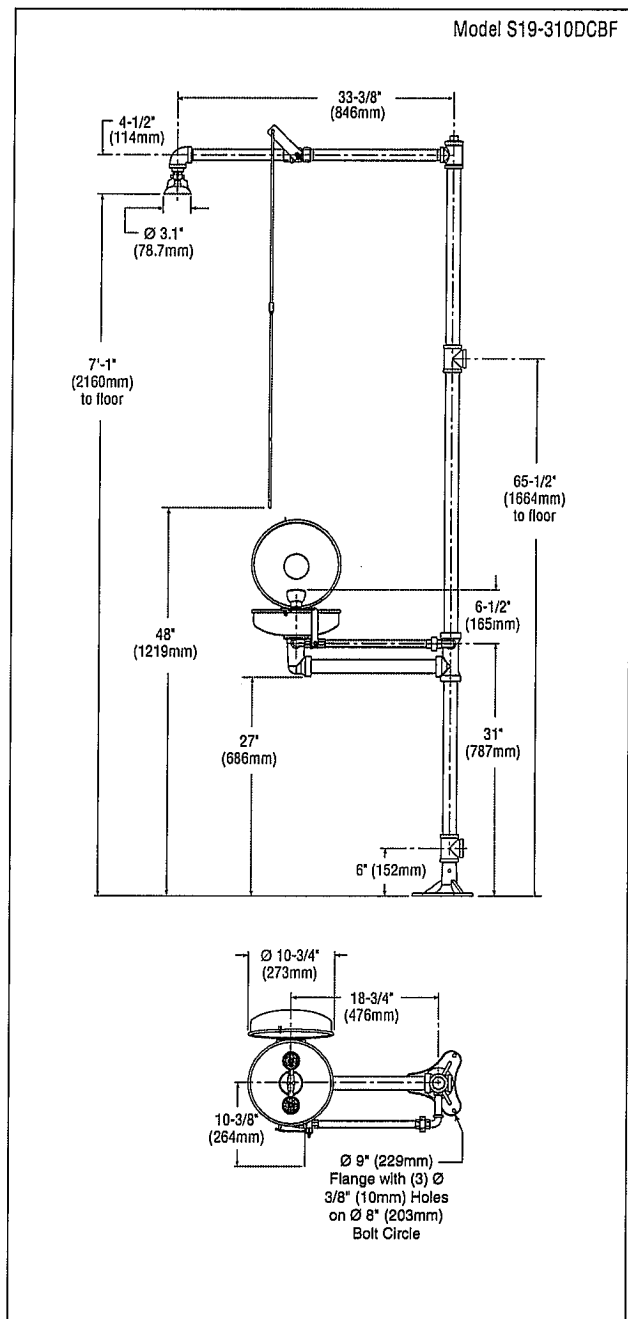
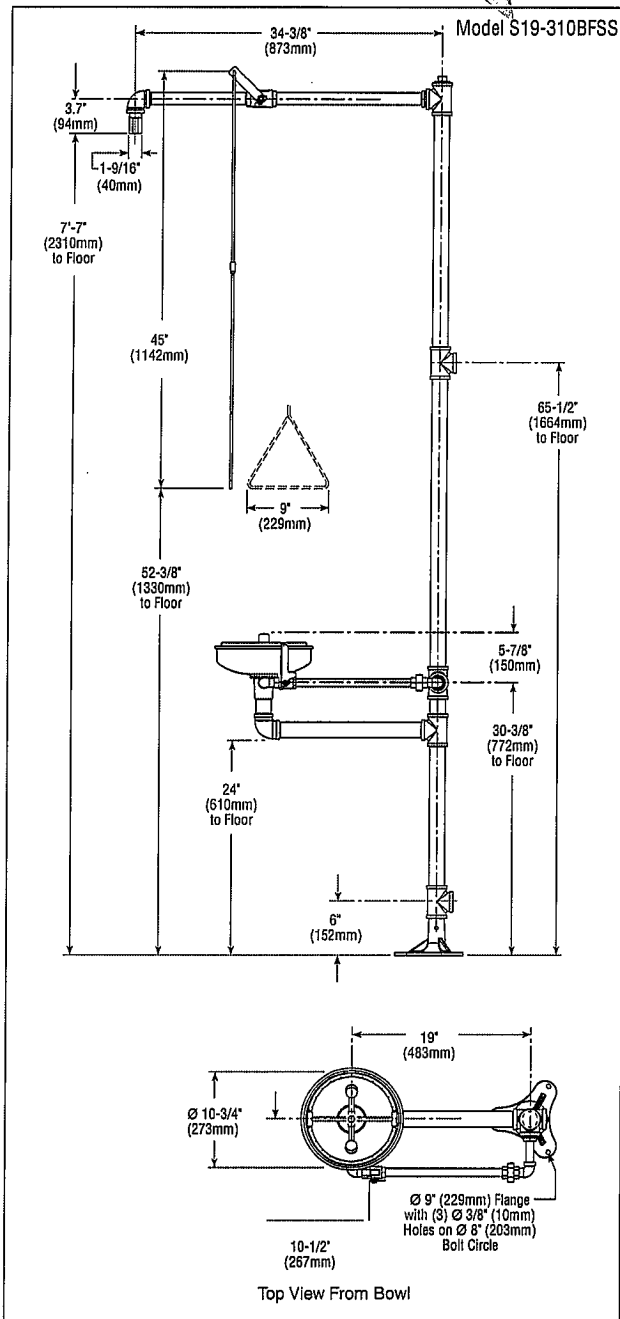
Local codes may require the installation of a backflow prevention valve to complete proper installation. Compliance with local codes is the responsibility of the installer. Valve must be tested annually to verify that it is functioning properly. Backflow prevention valves are not included with the fixture and may be supplied by the contractor or purchased from Bradley Corporation.



All dimensions assume standard thread engagement. Variations in manufacturing allow for +/- 1/8" (3mm) per threaded joint. To find the tolerance of a dimension, add the number of thread joints in between a dimension and multiply it by 1/8" (3mm).



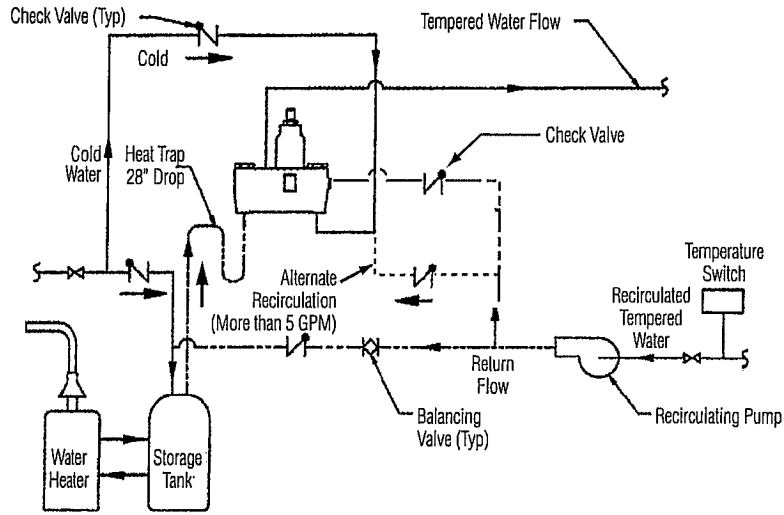
# S19-310BF, S19-310BFSS, S19-310DCBF, S19-310BFPB Barrier-Free Drench Shower and Eye/Face Wash Unit



All dimensions assume standard thread engagement. Variations in manufacturing allow for +/- 1/8" (3mm) per threaded joint. To find the tolerance of a dimension, add the number of thread joints in between a dimension and multiply it by 1/8" (3mm).

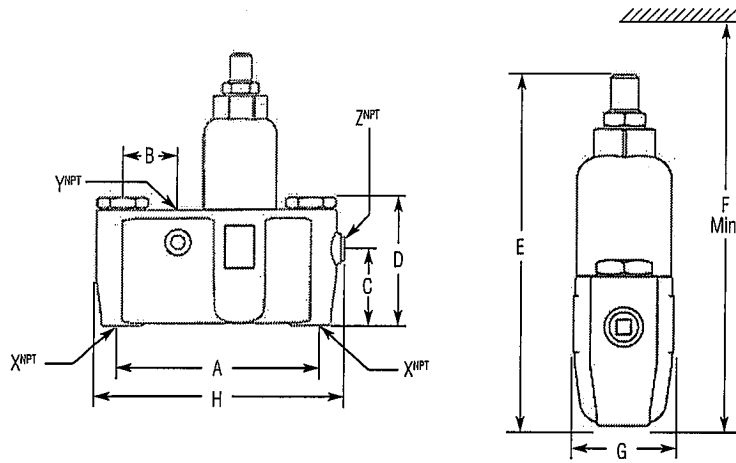


### Recirculation Diagram



### Dimensions – Inches (mm)

Model	A	B	C	D	E	F	G	H	X <sup>NPT</sup>	Y <sup>NPT</sup>	Z <sup>NPT</sup>
S19-2100	7 (178)	2 (51)	3-1/4 (84)	4-3/4 (119)	8 (203)	14 (356)	3-1/8 (79)	9-1/4 (234)	3/4	1	3/4
S19-2200	8-3/4 (224)	2-1/2 (64)	3-1/2 (89)	5-1/4 (135)	12-1/4 (312)	19 (483)	3-5/8 (91)	11-3/8 (290)	1	1-1/4	3/4



Consult local and national codes: conformity and compliance to local and national codes is the responsibility of the installer.

Plumbing Fixtures  
Document No. 5900

Page 2 of 4  
This information is subject to change without formal notice.  
10/10/2007

© 2007 Bradley Corporation  
P.O. Box 309, Menomonee Falls, WI 53052-0309  
Phone: 1-800-BRADLEY Fax: 262-253-4161  
www.bradleycorp.com

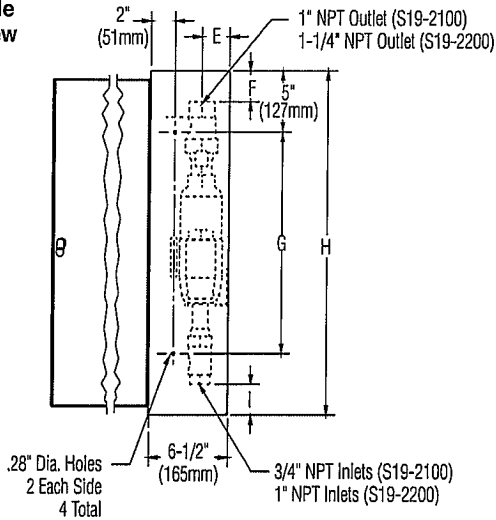


# S19-2100 & S19-2200 Emergency Fixture Thermostatic Mixing Valves

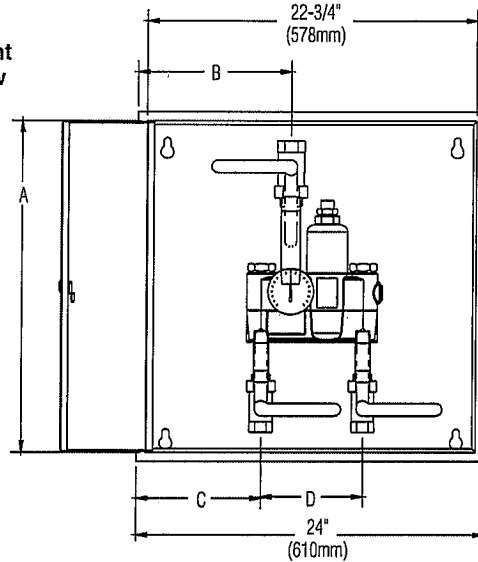
Dimensions — Surface Mounted Inches (mm)

Model	A	B	C	D	E	F	G	H	I	J	K	L	M
S19-2100	22-3/4 (578)	10-1/2 (267)	8-1/2 (216)	7 (178)	2 (51)	2 (51)	14 (356)	24 (610)	2 (51)	6-1/4 (159)	7-1/2 (191)	20 (508)	8-7/16 (214)
S19-2200	26-3/4 (679)	10-3/16 (259)	7-5/8 (194)	8-3/4 (222)	2-1/4 (57)	2-1/2 (64)	18 (457)	28 (711)	2-1/2 (64)	5-1/8 (130)	9-3/4 (248)	24 (610)	9-3/16 (233)

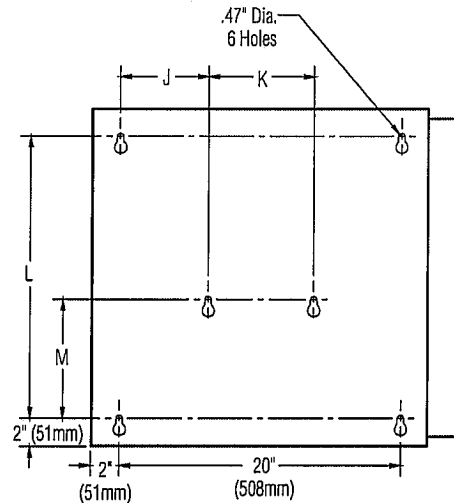
Side View



Front View



Back View



Consult local and national codes: conformity and compliance to local and national codes is the responsibility of the installer.

Plumbing Fixtures  
Document No. 5900

Page 3 of 4  
This information is subject to change without formal notice.  
10/10/2007

© 2007 Bradley Corporation  
P.O. Box 309, Menomonee Falls, WI 53052-0309  
Phone: 1-800-BRADLEY Fax: 262-253-4161  
www.bradleycorp.com

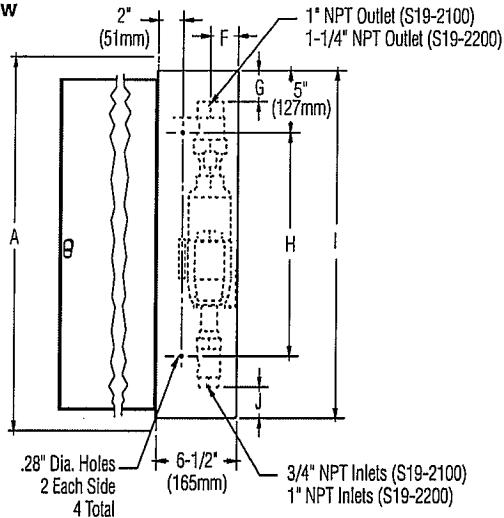


# S19-2100 & S19-2200 Emergency Fixture Thermostatic Mixing Valves

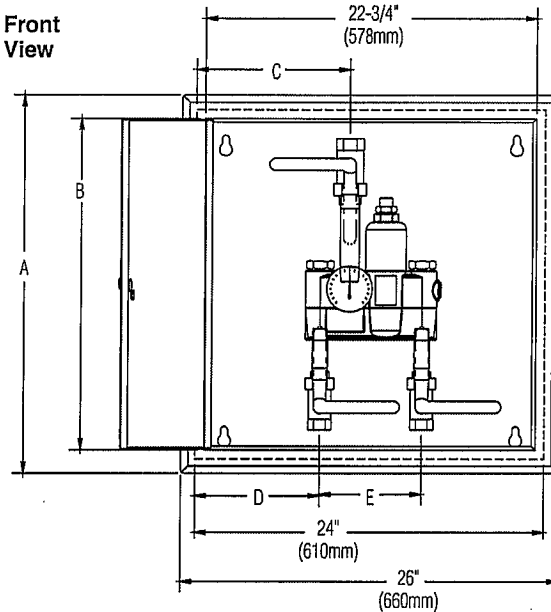
## Dimensions — Recessed Inches (mm)

Model	A	B	C	D	E	F	G	H	I	J
S19-2100	26 (660)	22-3/4 (578)	10-1/2 (267)	8-1/2 (216)	7 (178)	2 (51)	2 (51)	14 (356)	24 (610)	2 (51)
S19-2200	30 (762)	26-3/4 (679)	10-3/16 (259)	7-5/8 (194)	8-3/4 (222)	2-1/4 (57)	2-1/2 (64)	18 (457)	28 (711)	2-1/2 (64)

Side View



Front View



Consult local and national codes: conformity and compliance to local and national codes is the responsibility of the installer.

Plumbing Fixtures  
Document No. 5900

Page 4 of 4  
This information is subject to change without formal notice.  
10/10/2007

© 2007 Bradley Corporation  
P.O. Box 309, Menomonee Falls, WI 53052-0309  
Phone: 1-800-BRADLEY Fax: 262-253-4161  
www.bradleycorp.com