



Submittal Comments

Item No: 221319-01
(CSI No:)

Item Descript: Sanitary Waste Piping Specialties

Re: **Submittal** Comments
Cascade Science Lab Renovation
2008-046.CSL 8.3

*Architecture
 Engineering
 Technology
 Interior Design
 Landscape Architecture*

*Wil-Fra-Mar Building
 320 East Vermont Street
 Indianapolis IN 46204-1640
 317.263.6226
 317.263.6224 (fax)
 www.schmidt-arch.com*

Reviewed and checked only for conformance with design concepts and with the information given in the Contract Documents. Approval does not release the Contractor from the responsibility to provide appropriate quantities, field measurements, dimensional stability, installation, anchorage, and coordination with other trades or release the Contractor from responsibility for deviations from the requirements of the Contract Documents or from responsibility for errors and omissions contained thereon.	
X	Reviewed as Submitted - No Resubmittal Required.
	Reviewed as Noted - No Resubmittal Required.
	Reviewed as Noted - Revise and Resubmit.
	Rejected - Revise and Resubmit.
	Not Required for Review - Returned.
By: Michael Perry	
Date: 05-05-09	

Comments

Copy: File

Tricia L. Smith

From: ken meiring [kenmeiring@kpmeiring.com]
Sent: Wednesday, April 22, 2009 9:28 PM
To: Tricia L. Smith
Subject: Cascade Science Lab Renovation Submittal
Attachments: 221319 San Waste Piping Specialites Josam Submittals.pdf

Hello Trish

Attached is Section 221319 San Waste Piping Specialites Josam Submittals.pdf

Thank you

Kenneth P. Meiring
KP Meiring Company
6519 North Carrollton Avenue
Indianapolis, IN 46220-1616
(317) 257 7506 x 3
(317) 254 1305 fax
kenmeiring@kpmeiring.com
www.kpmeiring.com

K.P. MEIRING CO *KPM*
CHECKED BY: _____
DATE CHECKED: April 22, 2009
REVIEWED NO EXCEPTIONS: _____ **XX**
REVIEWED WITH EXCEPTIONS: _____
REJECTED RESUBMIT: _____
The review is only for general conformance with design concepts given in the contract documents. Subcontractor is responsible for dimensions, quantities, coordination with other trades and performing his work in a safe manner. No change to contract requirements is intended.

Quote #: 876409

Project:

Cascade Schools - Clayton, IN

Architect:

Engineer:

Contractor:

Justin Dorsey Plbg - Danville, IN

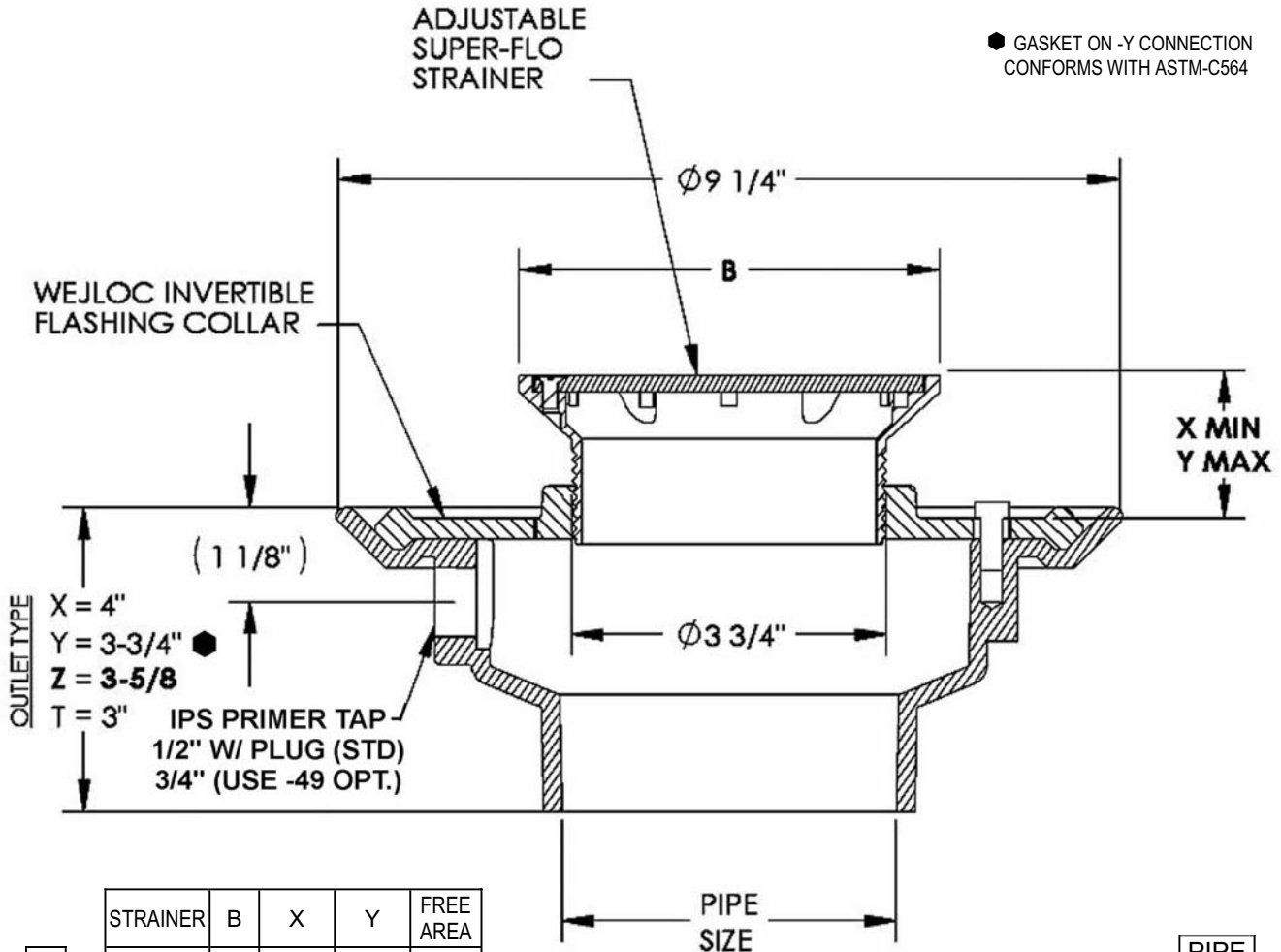
SPECIFICATION:

JOSAM 30000-A SERIES CAST IRON FLOOR DRAIN, TWO-PIECE BODY WITH DOUBLE DRAINAGE FLANGE AND 1/2" PRIMER TAP, WEJLOC® INVERTIBLE FLASHING COLLAR, WEEPHOLES, BOTTOM OUTLET CONNECTION AND NIKALOY ADJUSTABLE ROUND SUPER-FLO® STRAINER.

**FLOOR DRAIN
ADJUSTABLE FLOOR DRAIN**

SERIES 30000-A

SLOT WIDTH 1/4"



-
-
-
-

STRAINER	B	X	Y	FREE AREA
-5A	5	3/4	2-1/8	7.8
-6A	6	1-1/4	2-3/8	11.0
-7A	7	1-1/8	2-7/8	13.2
-8A	8	1-5/8	2-5/8	16.2

-
-
-

PIPE SIZE
2"
3"
4"

- ▼ -TSO THREADED SIDE OUTLET
- ▼ -ST WITH SHALLOW TRAP (2" AND 3" ONLY)
- ▼ -PD PRISON DRAIN (2" AND 3" ONLY)
- ARE ACID-RESISTING EPOXY
- 49 3/4" PRIMER TAP
- 91 ROUGH BRONZE BODY
- 92 GALVANIZED CAST IRON PARTS
- SS STAINLESS STEEL

- 2 BRONZE ADJUSTABLE STRAINER
- 80 PERFORATED STAINLESS STEEL BASKET
- CP CHROME PLATED STRAINER (5A, 6A)
- J BACKWATER VALVE
- VP SECURED GRATE, VANDAL-PROOF SCREWS
- T THREADED OUTLET
- X INSIDE CAULK OUTLET
- Y HUB OUTLET WITH GASKET ●
- Z NO-HUB SPIGOT OUTLET

▼ SEPARATE SUBMITTAL FOR THIS OPTION AVAILABLE

DRAWING No. 06/18/08

A-14694-K

JOSAM COMPANY
MICHIGAN CITY, INDIANA

NOTES:

FD-1

SPECIFICATION:

JOSAM 30000-E1 SERIES CAST IRON FLOOR DRAIN, TWO-PIECE BODY WITH DOUBLE DRAINAGE FLANGE AND 1/2" PRIMER TAP, WEJLOC® INVERTIBLE FLASHING COLLAR, WEEPHOLES, BOTTOM OUTLET CONNECTION AND NIKALOY ADJUSTABLE ROUND STRAINER WITH EXTENDED RIM.

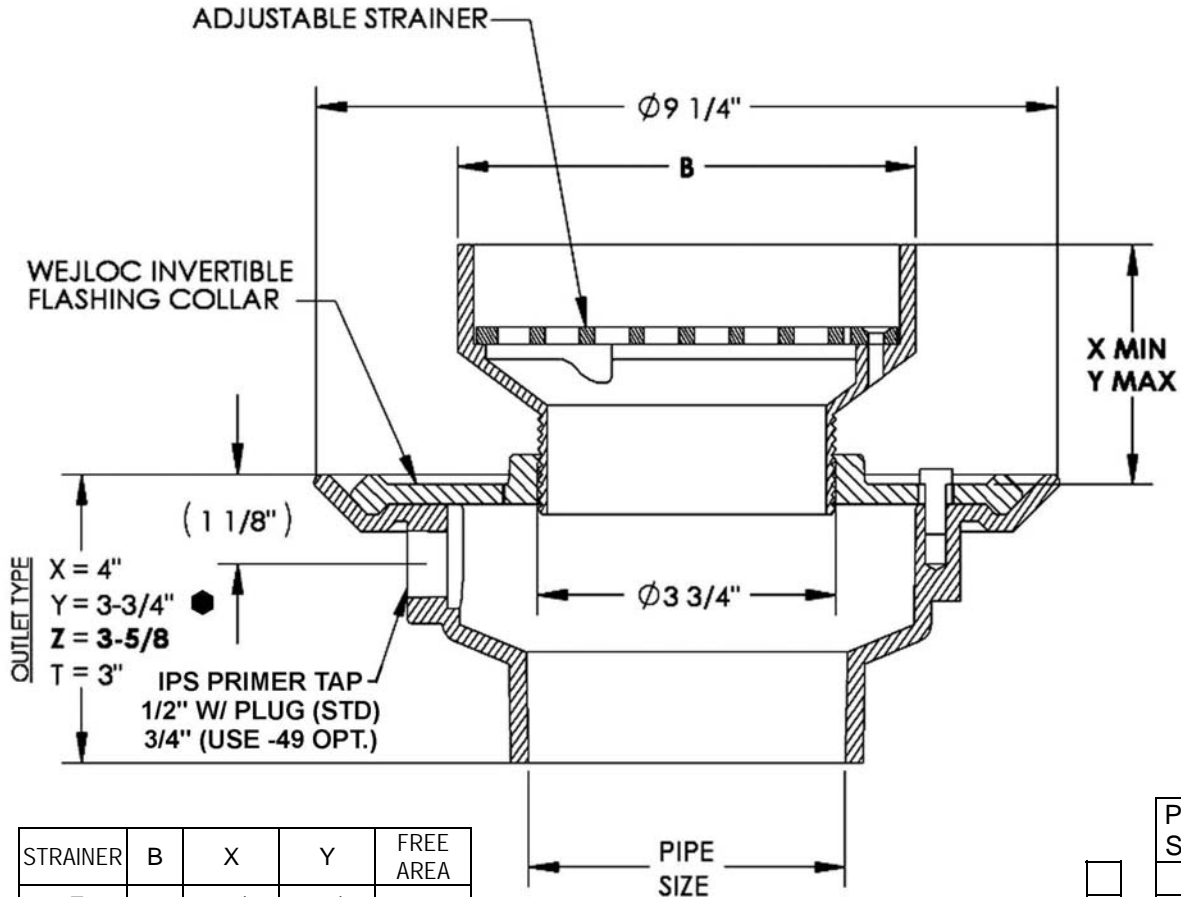
**FLOOR DRAIN
ADJUSTABLE FLOOR DRAIN**

SERIES

30000-E1

SLOT SIZE 7/16" SQ. (TYP.)

● GASKET ON -Y CONNECTION
CONFORMS WITH ASTM-C564



STRAINER	B	X	Y	FREE AREA
-6E1	6	2-1/4	3-1/2	4.0
-7E1	7	1-7/8	3-1/8	8.2
-9E1	9	2-1/4	3-3/8	21.2

PIPE SIZE
2"
3"
4"

- TSO
- ST
- PD
- ARE
- 49
- 91
- 92

THREADED SIDE OUTLET
WITH SHALLOW TRAP (2" AND 3" ONLY)
PRISON DRAIN (2" AND 3" ONLY)
ACID-RESITING EPOXY
3/4" PRIMER TAP
ROUGH BRONZE BODY
GALVANIZED CAST IRON PARTS

- 2
- 80
- J
- VP
- T
- X
- Y
- Z

BRONZE ADJUSTABLE STRAINER
PERFORATED STAINLESS STEEL BASKET
BACKWATER VALVE
SECURED GRATE, VANDAL-PROOF SCREWS
THREADED OUTLET
INSIDE CAULK OUTLET
HUB OUTLET WITH GASKET ●
NO-HUB SPIGOT OUTLET

DRAWING No. 06/18/08

A-12321-K

JOSAM COMPANY
MICHIGAN CITY, INDIANA

NOTES: