

1 WATER HEATER PIPING DETAIL
P2.1 NOT TO SCALE

PLUMBING FIXTURE DEMAND TABULATION

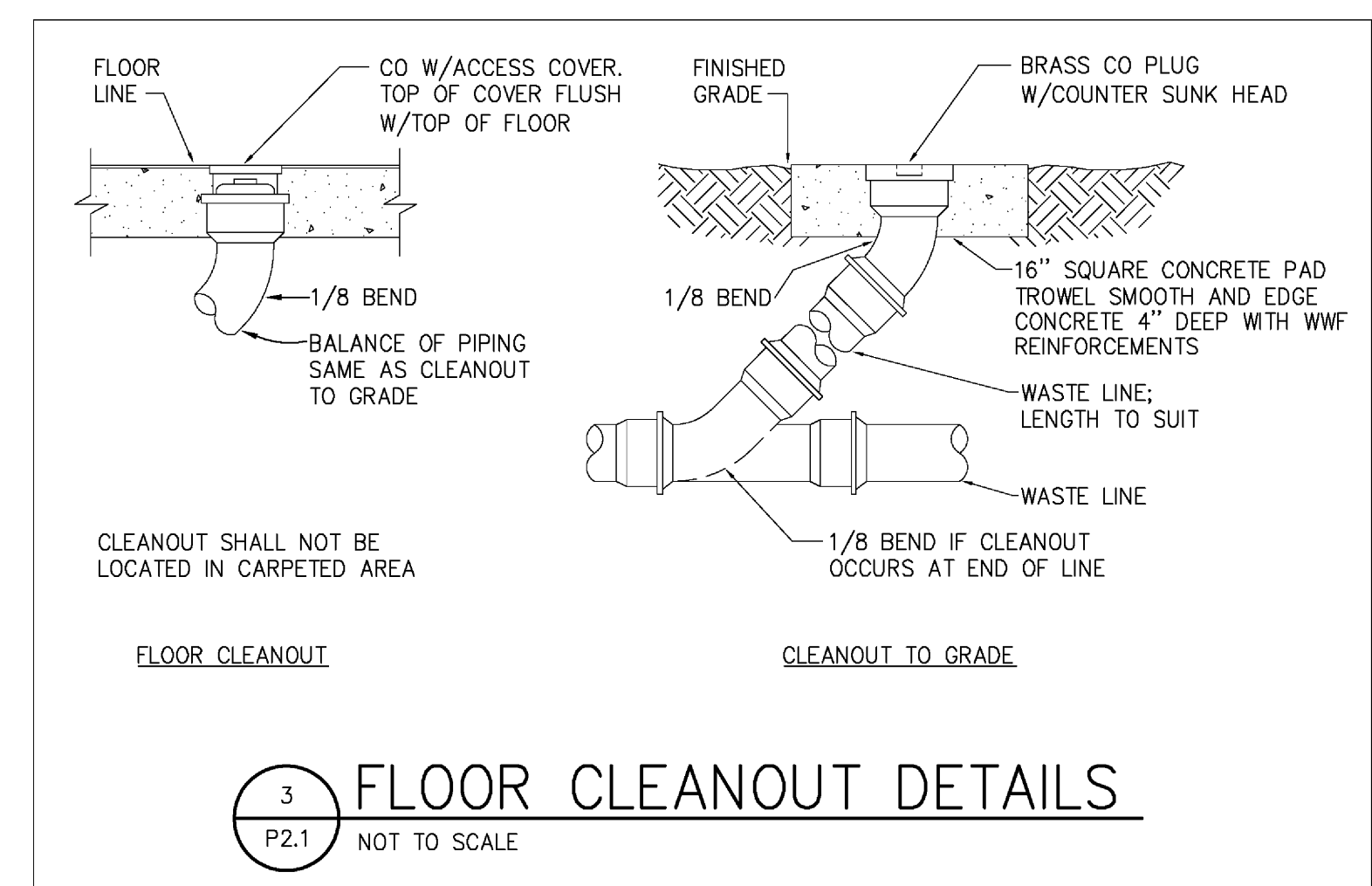
Project Name: CRC Training Institute @ Pearl Plaza
 Project No.: 09056
 Date: November 8, 2009

BUILDING TYPE: NEW
 PREDOMINANTLY: FLUSH VALVE

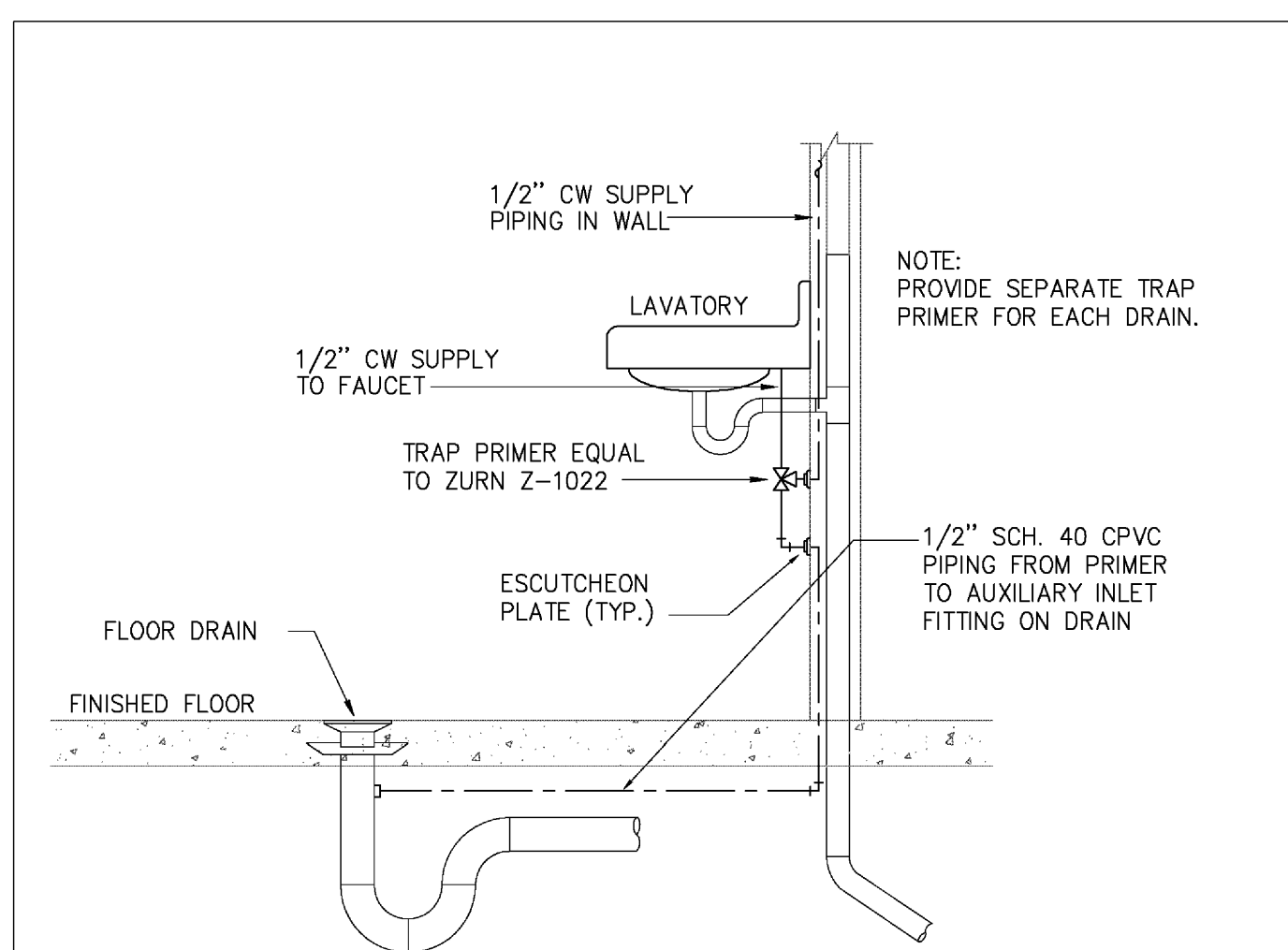
FIXTURE	DESCRIPTION	OCCUPANCY	QTY.	DRAINAGE FIXTURE UNITS	SUB-TOTAL	LOAD VALUES IN WATER (EACH)			LOAD VALUES IN WATER (TOTAL)			Remarks
						COLD	HOT	TOTAL	COLD	HOT	TOTAL	
WC	Water Closet, Flush Valve, 1.6 GPF	Public	5	4	20	10.0	-	10.0	50	0	50	
UR	Urinal, 3/4" Flush Valve, 1.0 GPF	Public	2	2	4	5.0	-	5.0	10	0	10	
LAV1	Lavatory, Wall Hung, HC	Public	3	1	3	1.5	1.5	2.0	4.5	4.5	6	
LAV2	Lavatory, Countertop	Public	4	1	4	1.5	1.5	2.0	6	6	8	
KS	Kitchen Sink, Two Compartment	Private	1	2	2	1.0	1.0	1.4	1	1	1.4	
MS	Mop (Service) Sink	Offices, etc.	1	2	2	2.3	2.3	3.0	2.25	2.25	3	
EWC	Electric Water Cooler (Drinking Fountain)	Offices, etc.	2	0.5	1	0.3	-	0.3	0.5	0	0.5	
IMB	Ice Maker Valve Box - (Refrigerator / Ice Maker)	Public or Private	1	0	0	0.3	-	0.3	0.25	0	0.25	
TOTALS						36	DFU		74.5	13.75	79.15	WSFU
DFU = DRAINAGE FIXTURE UNITS						59.4	INCH SLOPE PER FOOT		30.0	60.9	60.9	GPM
WSFU = WATER SUPPLY FIXTURE UNITS						3	DIAMETER OF PIPE (INCHES)		2"	3/4"	2"	INCHES REQD.

PLUMBING FIXTURE SCHEDULE

DESIGNATION	MANUFACTURER	MODEL NO.	FIXTURE DESCRIPTION	CONNECTION SCHEDULE			
				WASTE	VENT	CW	HW
WC	AMERICAN STANDARD	"MADERA" 2234.015	14" HIGH VITREOUS CHINA WATER CLOSET W/ ELONGATED BOWL LOW CONSUMPTION FLUSH VALVE (1.6 GPF) - SLOAN REGAL NO. 111 SEAT (NO LID) - CHURCH MODEL 9500-SSC	3"	2"	1"	--
WC-HC	AMERICAN STANDARD	"MADERA" 3043.102	16 1/2" HIGH VITREOUS CHINA WATER CLOSET W/ ELONGATED BOWL LOW CONSUMPTION FLUSH VALVE (1.6 GPF) - SLOAN REGAL NO. 111 SEAT (NO LID) - CHURCH MODEL 9500-SSC MOUNT FLUSH CONTROL ON WIDE SIDE OF STALL	3"	2"	1"	--
LAV	AMERICAN STANDARD	"AQUALYN" 0476.028	VITREOUS CHINA COUNTERTOP LAVATORY FAUCET - SPEAKMAN SC-3074 TRAP - 1 1/4" CAST BRASS WITH C.O. PLUG SUPPLY - 3/8" ANGLE-TYPE WITH STOPS	2"	1 1/4"	1/2"	1/2"
LAV-HC	AMERICAN STANDARD	"LUCERNE" 0355.012	VITREOUS CHINA WALL-HUNG LAVATORY (HANDICAP) FAUCET - SPEAKMAN NO. SC-3074 W/ 4" LEVER HANDLES TRAP - 1 1/4" CAST BRASS WITH C.O. PLUG SUPPLY - 3/8" ANGLE-TYPE WITH STOPS PROVIDE SUITABLE CONCEALED ARM CARRIER AND OFFSET TAILPIECE INSULATE TRAP, OUTLET TUBE & HW SUPPLY TO MEET A.D.A.	2"	1 1/4"	1/2"	1/2"
UR	AMERICAN STANDARD	"ALLBROOK" 6541.132	WALL-HUNG, VITREOUS CHINA, FLUSH VALVE URINAL FLUSH VALVE - SLOAN REGAL PRO NO. 185-1 LOW WATER CONSUMPTION (1.0 GALLON PER FLUSH) MOUNT TOP OF FRONT RIM AT 24" A.F.F. PROVIDE SUITABLE FIXTURE CARRIER OR MOUNTING BRACKET/BLOCKING	3"	2"	3/4"	--
UR-HC	AMERICAN STANDARD	"ALLBROOK" 6541.132	WALL-HUNG, VITREOUS CHINA, FLUSH VALVE URINAL (HANDICAP) FLUSH VALVE - SLOAN REGAL PRO NO. 185-1 LOW WATER CONSUMPTION (1.0 GALLON PER FLUSH) MOUNT TOP OF FRONT RIM AT 17" A.F.F. TO MEET ADA PROVIDE SUITABLE FIXTURE CARRIER OR MOUNTING BRACKET/BLOCKING	3"	2"	3/4"	--
EWC	ELKAY	EZSTL8C	ELECTRIC WATER COOLER W/ DUAL SPLIT-LEVEL BASINS (BARRIER-FREE) 8.0 GPH CAPACITY, 4.5 F.L.A., 120-1-60.	2"	1 1/4"	1/2"	--
FD	ZURN	Z-415-S	FLOOR DRAIN W/ 5" SQUARE NICKALOY STRAINER TOP AND 3" OUTLET PROVIDE AUXILIARY INLET FITTING FOR TRAP PRIMER CONNECTION	3"	2"	--	--
DCS	JUST	DL-2133-A-GR	DOUBLE-COMPARTMENT, STAINLESS STEEL SINK FAUCET - SPEAKMAN NO. SC-5763 CUP STRAINERS - (2) JUST MODEL J-35 SUPPLY - 3/8" ANGLE-TYPE WITH STOPS TRAP - 1 1/2" CAST BRASS WITH C.O. PLUG	2"	1 1/2"	1/2"	1/2"
MS	FIAT	MSB-2424	FLOOR-MOUNTED COMPOSITE MOP BASIN FAUCET - FIAT 830-AA FURNISH WALL-MOUNTED MOP HANGER	3"	2"	1/2"	1/2"
EWH	RHEEM	81SV30-2	30-GALLON RESIDENTIAL-GRADE ELECTRIC WATER HEATER TWO 4.5 KW HEATING ELEMENTS, NON-SIMULT. OPERATION; 208/1; 21.6A SET WATER TEMP. CONTROL TO 140 F	--	--	3/4"	3/4"
WHA	ZURN	Z-1700 SERIES	WATER HAMMER ARRESTOR, SIZE PER P.D.I. WH-201. VERIFY THAT COMPONENT IS ACCESSIBLE.	--	--	--	--
IMB	SPECIALTY PRODUCTS	0B-817	ICE MAKER BOX	--	--	3/8"	--
CO	ZURN	Z-1400	FLOOR CLEANOUT - PROVIDE SCREW COVER MATCH SIZE OF PIPE.	--	--	--	--



3 FLOOR CLEANOUT DETAILS
P2.1 NOT TO SCALE



2 FLOOR DRAIN TRAP PRIMER DETAIL
P2.1 NOT TO SCALE

Architecture - Planning - Interiors
 1930 San Marco Blvd., Suite 203
 Jacksonville, Florida 32207
 T 904 253 3902 F 904 253 3906
 www.scopodesigngroup.com
 AA26001292

PROJECT ENGINEER
W. MICHAEL GREGORY, PE

FLORIDA PE NO. 46607

Gregory Engineering, Inc.
 innovative design solutions for
 engineered building systems

4567 Deep River Place
 Jacksonville, FL 32224
 W. Michael Gregory, PE # 46607
 Cert. of Authorization # 28163

PROJECT TEAM

LANDLORD
 PEARL PLAZA PARTNERS, LLC

TENANT
 COMMUNITY REHABILITATION RESOURCES

ARCHITECT
 SCOPO DESIGN GROUP, LLC
 904-253-3902

STRUCTURAL ENGINEER
 LATITUDE 30 ENGINEERING
 904-247-1855

MECHANICAL ENGINEER
 GREGORY ENGINEERING, INC.
 904-714-5118

ELECTRICAL ENGINEER
 SHAFER ENGINEERING GROUP, LLC
 904-239-3621

DATE	ISSUE
05 OCT 2009	PERMIT
08 JAN 2010	REV. PERMIT

TENANT IMPROVEMENTS FOR
CRC INSTITUTE CENTER
 PEARL PLAZA SHOPPING CENTER, SUITE 08
 5308 NORTH PEARL PLAZA
 JACKSONVILLE, FLORIDA 32209

PLUMBING
 DETAILS AND
 SCHEDULE

PROJECT NO:	09088
DRAWN BY:	WMG
CHECKED BY:	WMG
SHEET NO:	P2.1

SHEET

Scopo Design Group, LLC, hereby expressly reserves the rights to this drawing and it is not to be reproduced or copied in any format or manner whatsoever without first obtaining permission and consent.