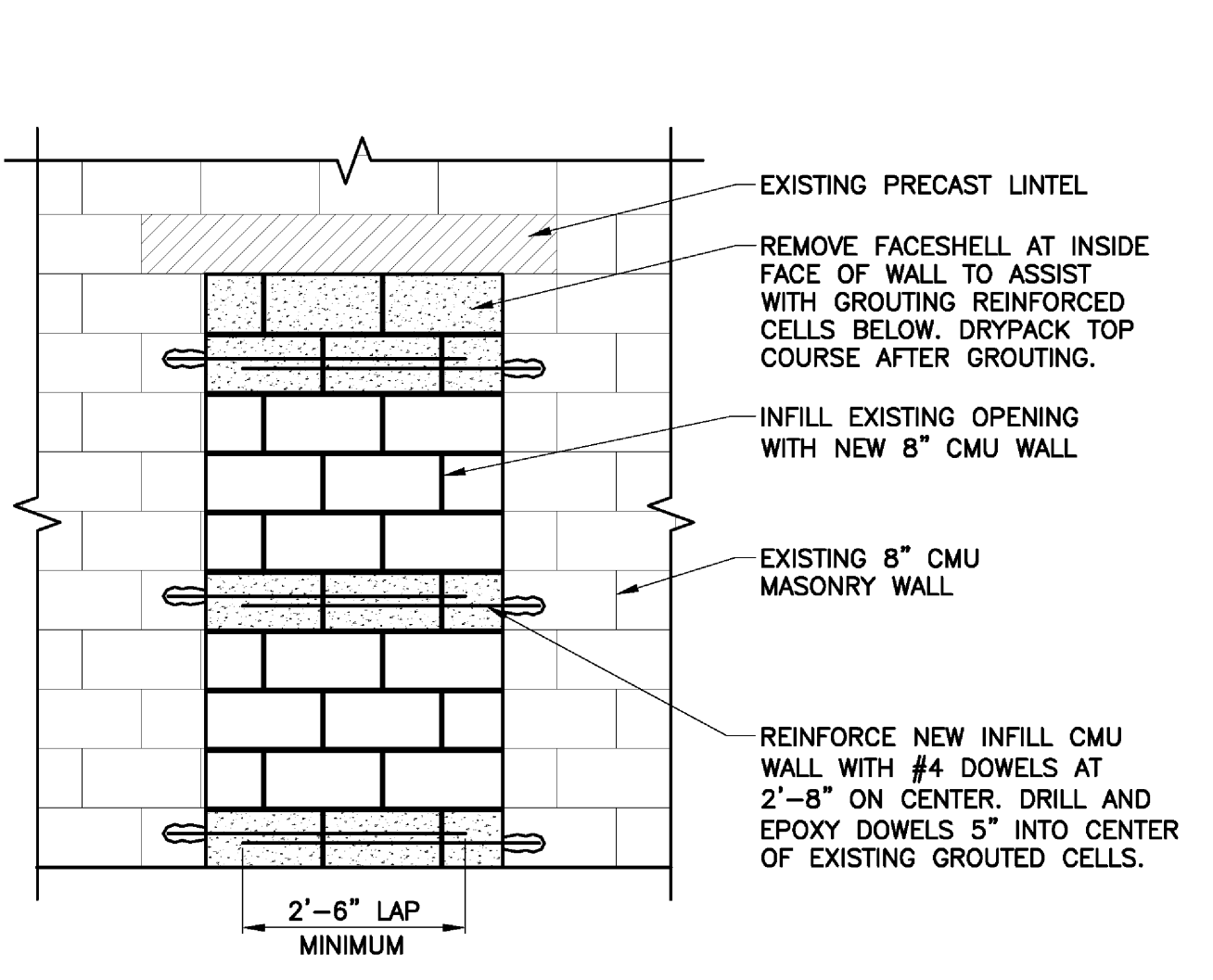


DATE	ISSUE
22 SEPT 2009	CONCEPT
30 OCT 2009	PERMIT

TENANT IMPROVEMENTS FOR  
**CRC INSTITUTE GREEN TRAINING CENTER**  
PEARL PLAZA SHOPPING CENTER, SUITE 08  
5308 NORTH PEARL PLAZA  
JACKSONVILLE, FLORIDA 32208

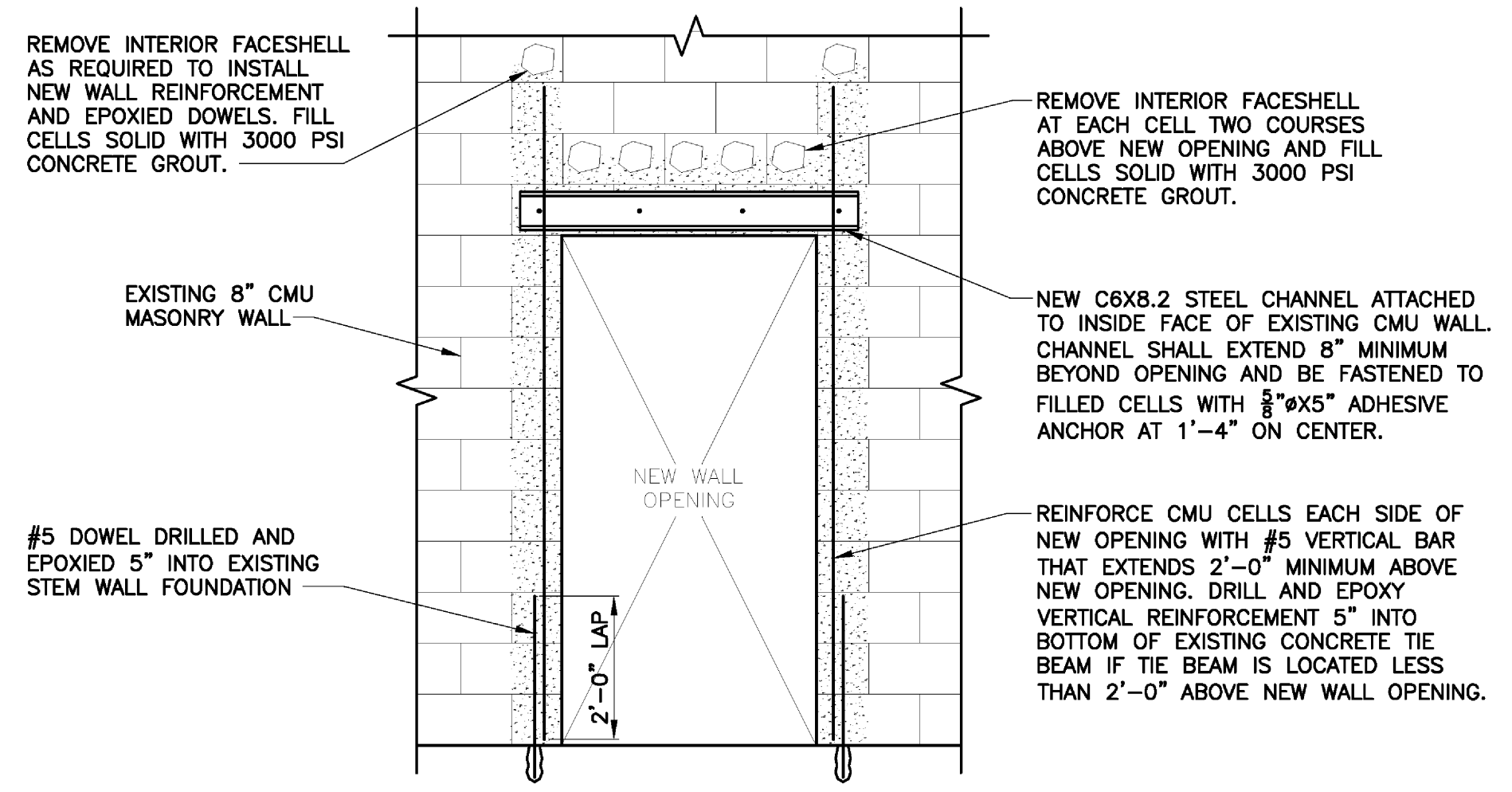
**STRUCTURAL SECTIONS AND TYPICAL DETAILS**

PROJECT NO: 09088  
DRAWN BY: BRS  
CHECKED BY: BRS  
SHEET NO:  
**S2.1**  
SHEET



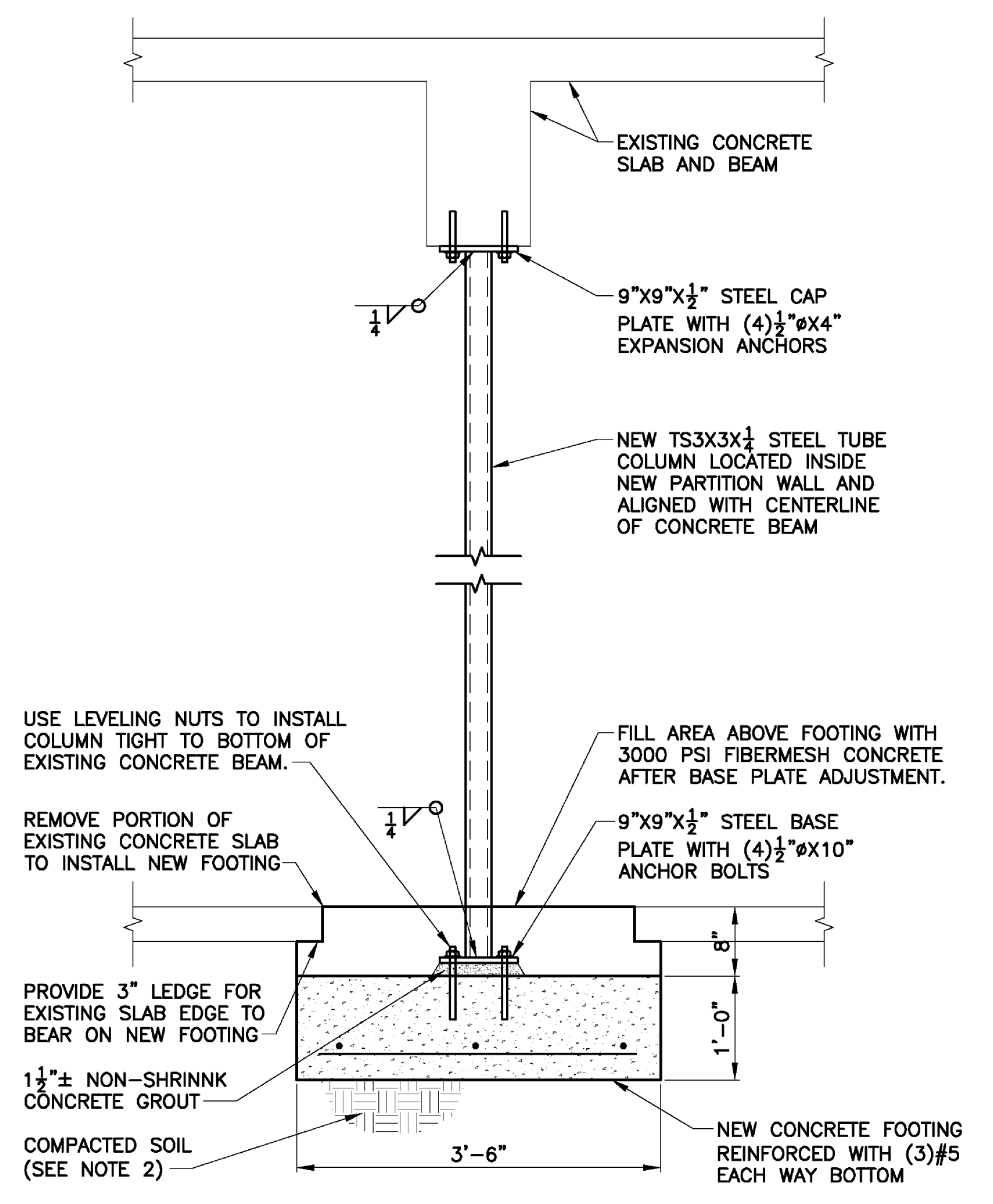
**TYPICAL NEW INFILL CMU WALL** (A) S2.1

- NOTES:
- CONTRACTOR SHALL FIELD VERIFY SIZE OF EXISTING OPENING TO BE INFILLED WITH NEW CMU WALL.
  - FILL ALL REINFORCED CELLS SOLID WITH 3000 PSI CONCRETE GROUT.
  - PROVIDE CAST-IN-PLACE PRECAST U-LINTEL ABOVE OPENINGS TO REMAIN IN INFILL CMU WALL. REINFORCE LINTEL WITH #4 HORIZONTAL. PROVIDE 8" MINIMUM LINTEL BEARING OR DRILL AND EPOXY #4 DOWEL 5" INTO EXISTING REINFORCED MASONRY JAMB.



**TYPICAL NEW CMU WALL OPENING** (B) S2.1

- NOTES:
- CONTRACTOR SHALL USE EXTREME CAUTION DURING DEMOLITION TO AVOID DAMAGING EXISTING PORTIONS OF THE STRUCTURE TO REMAIN. CONTRACTOR SHALL PROVIDE TEMPORARY BRACING AND SHORING AS REQUIRED TO SUPPORT THE STRUCTURAL ELEMENTS DURING THE CONSTRUCTION AND DEMOLITION OPERATIONS.
  - CONTRACTOR SHALL COORDINATE SIZE AND LOCATION OF NEW WALL OPENING WITH ARCHITECTURAL DRAWINGS.
  - INSTALL NEW STEEL CHANNEL AND REMOVE PORTION OF EXISTING WALL AFTER THE NEW WALL REINFORCEMENT IS PLACED AND CONCRETE GROUT HAS ATTAINED THE SPECIFIED COMPRESSIVE STRENGTH.
  - CONTRACTOR SHALL UTILIZE APPROVED SPECIAL ADHESIVE ANCHOR SYSTEM AT ALL OVERHEAD APPLICATIONS.



**NEW STEEL COLUMN SUPPORT** (1) S2.1

- SCALE: 3/4" = 1'-0"
- NOTES:
- CONTRACTOR SHALL INSTALL NEW STEEL COLUMN SUPPORT PRIOR TO REMOVING PORTION OF INTERIOR MASONRY WALL.
  - COMPACT BEARING SOILS TO A DENSITY OF AT LEAST 95% OF THE MODIFIED PROCTOR MAXIMUM DRY DENSITY (ASTM D 1557).