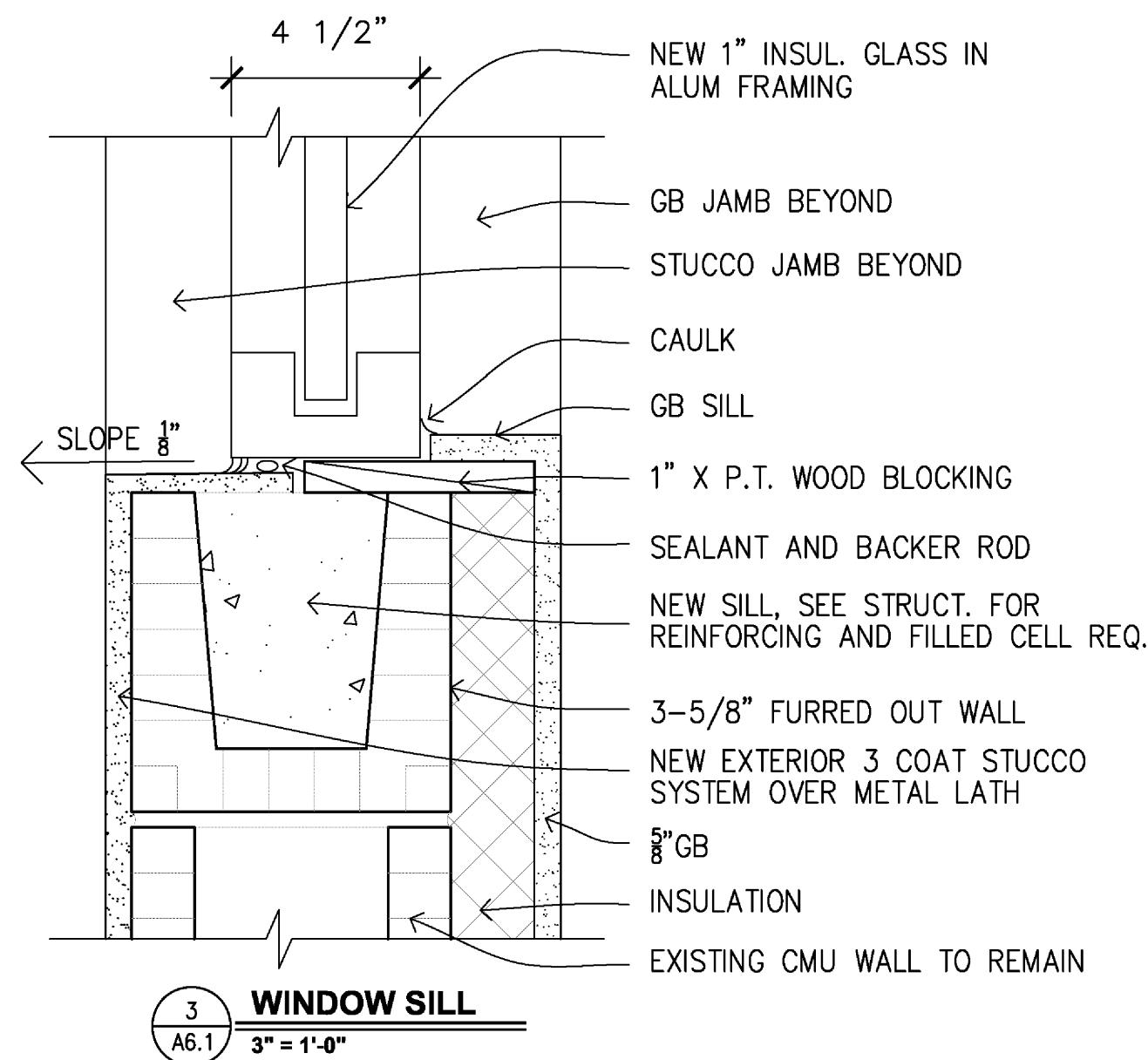
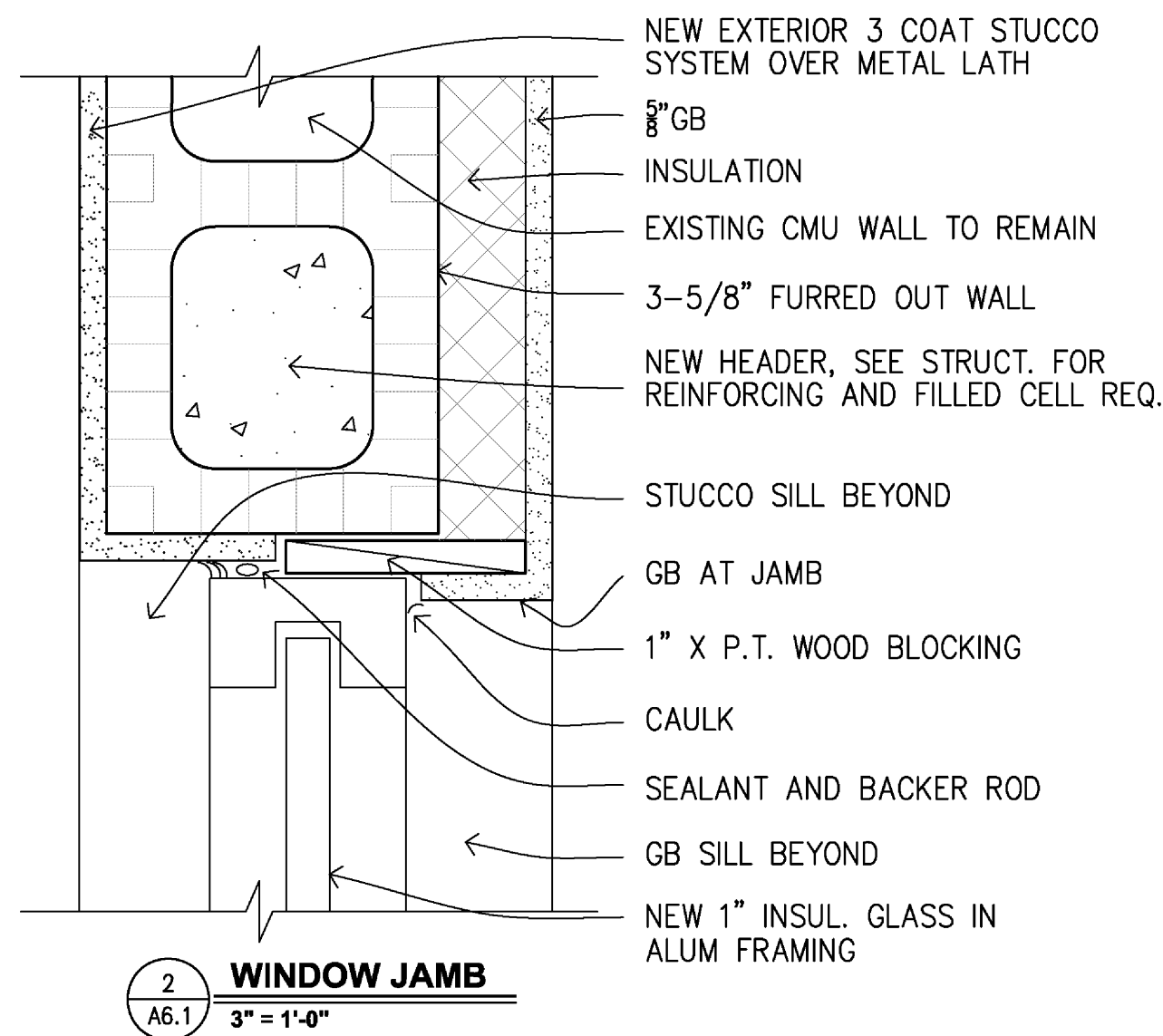
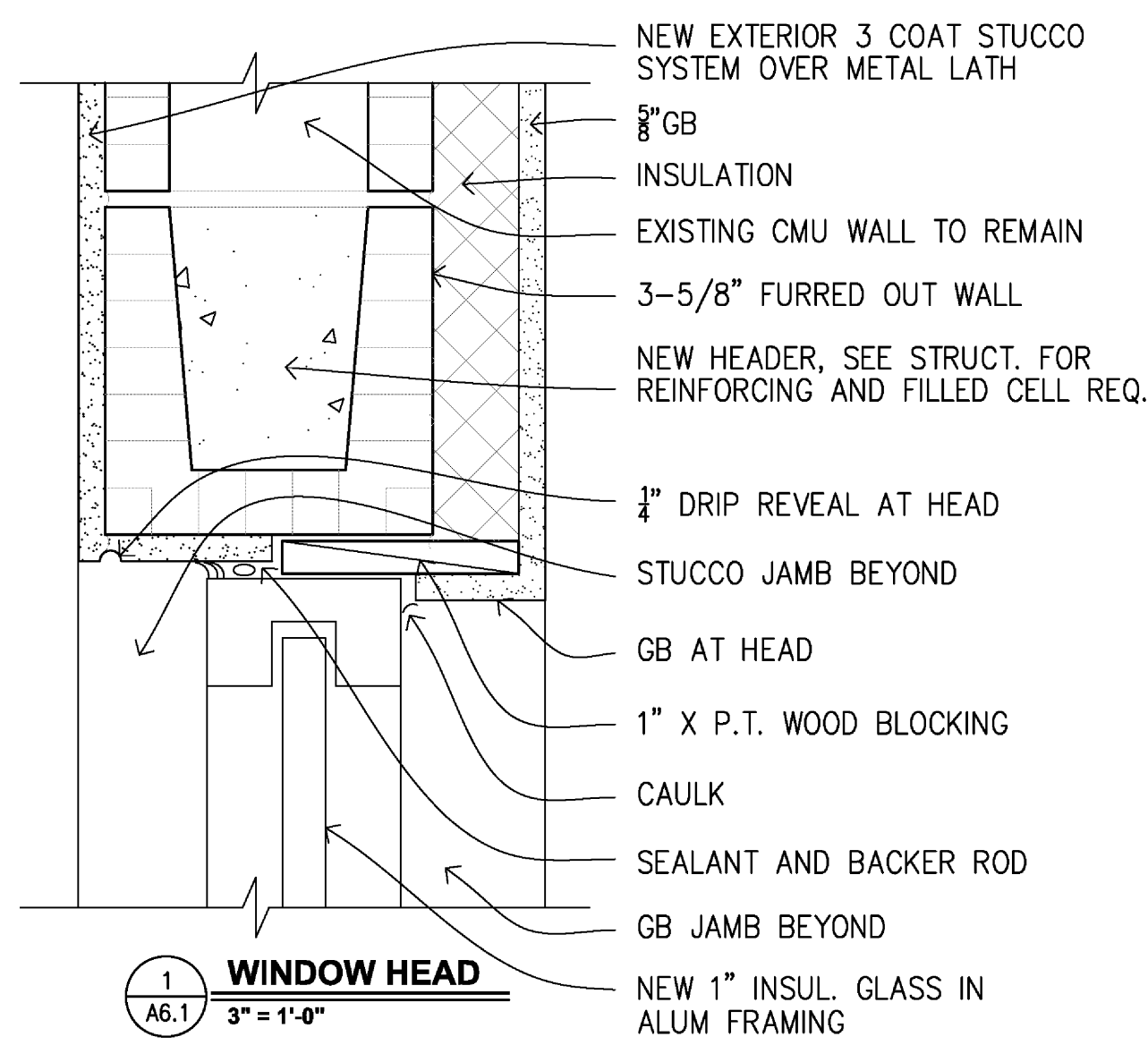
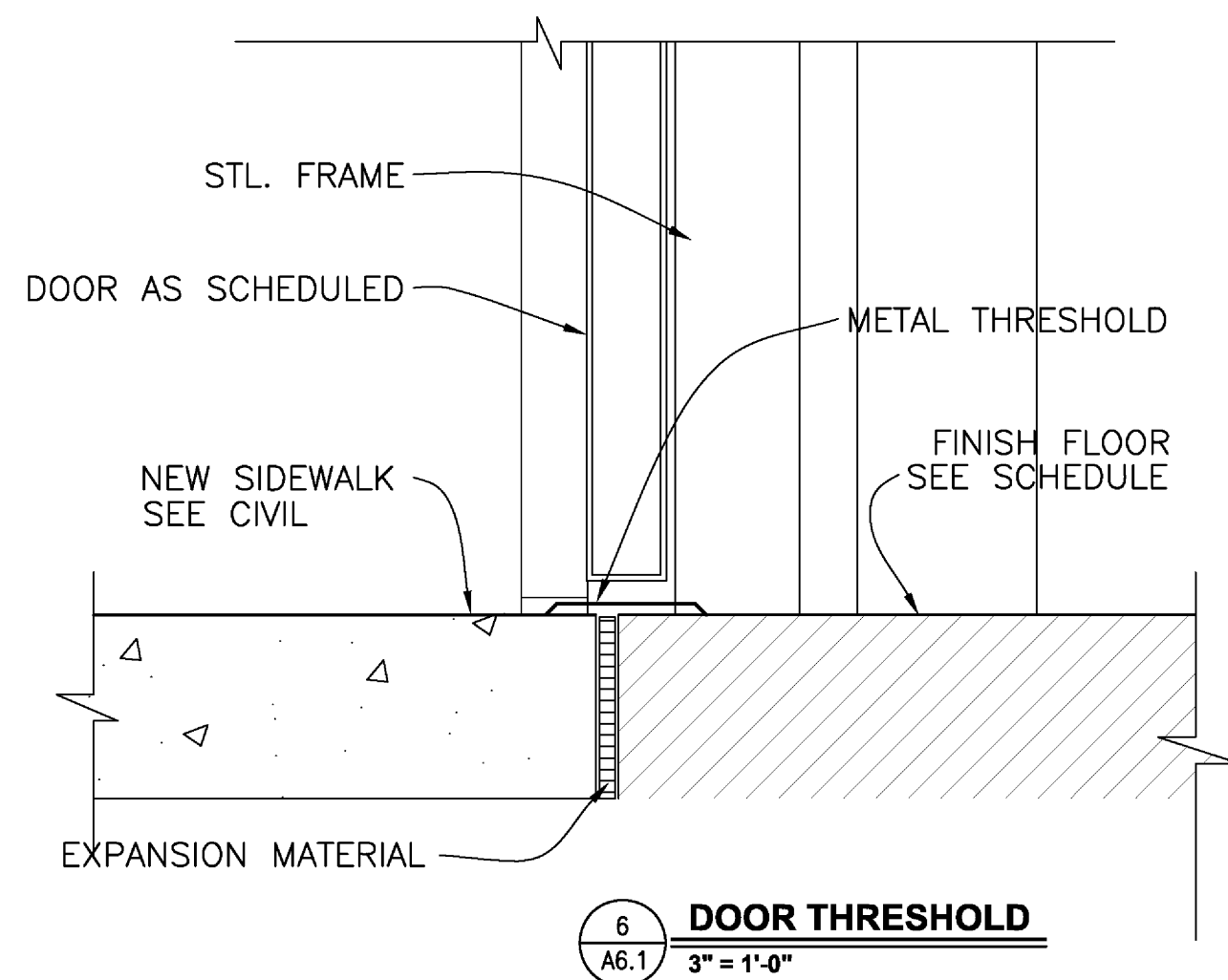
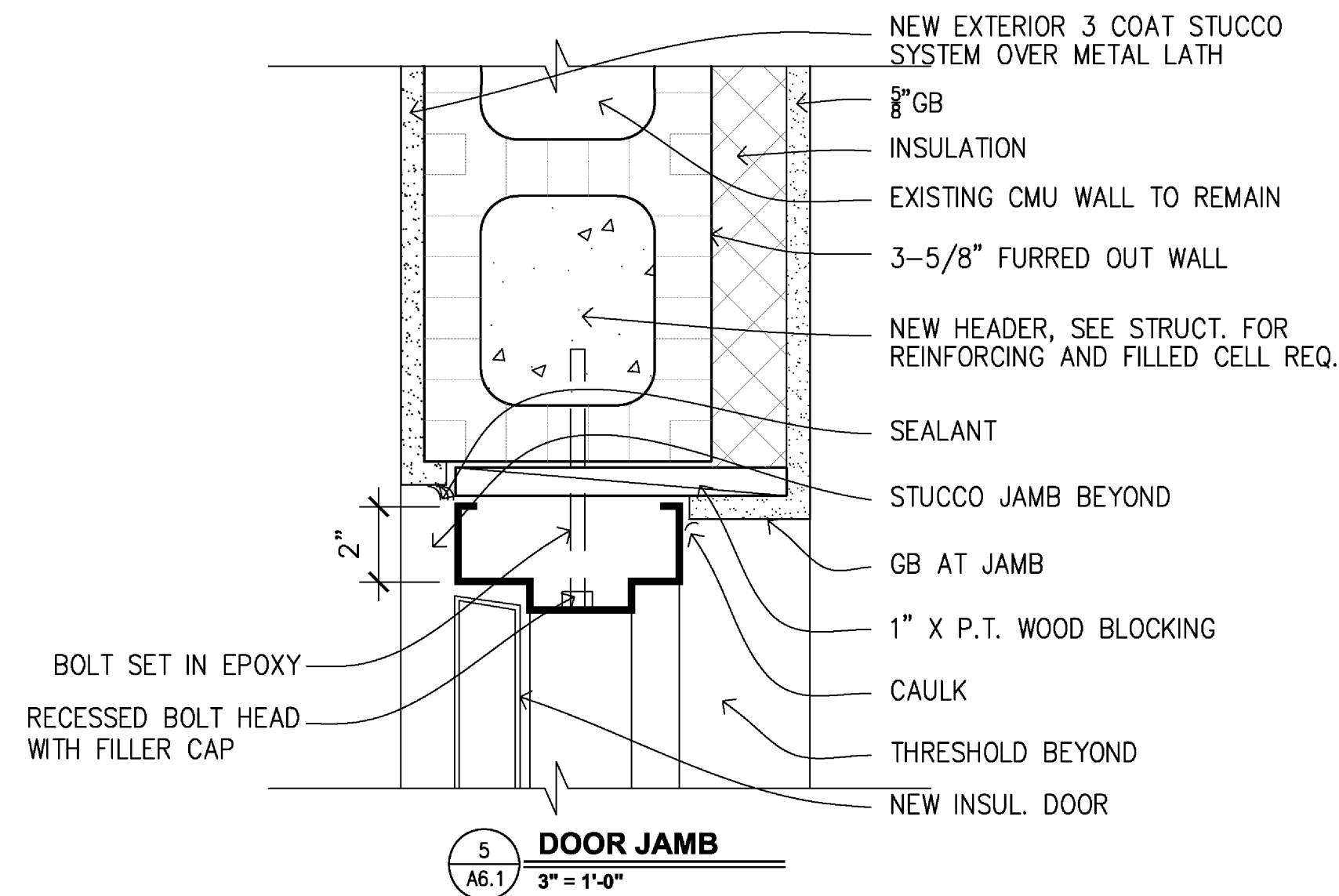
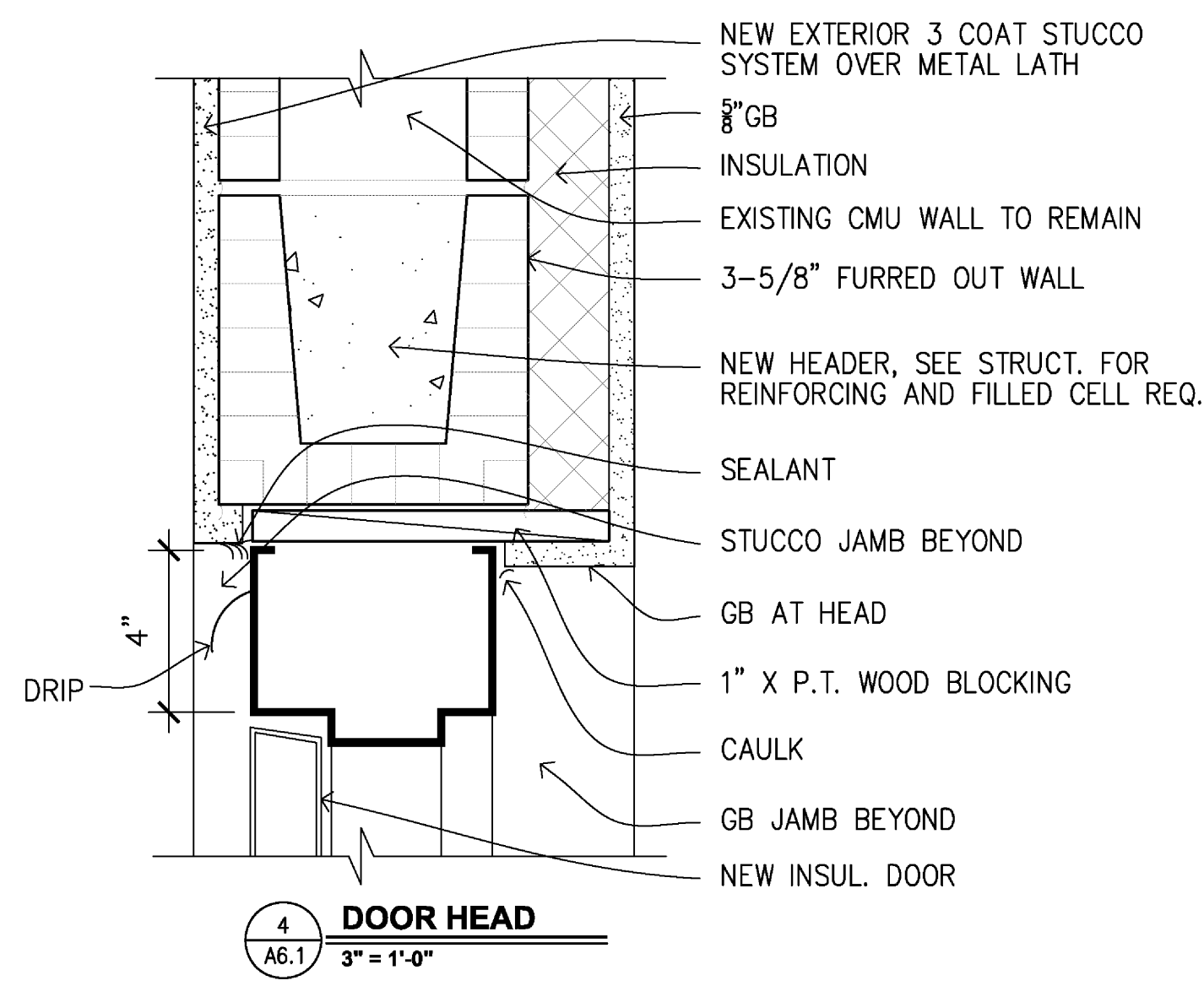


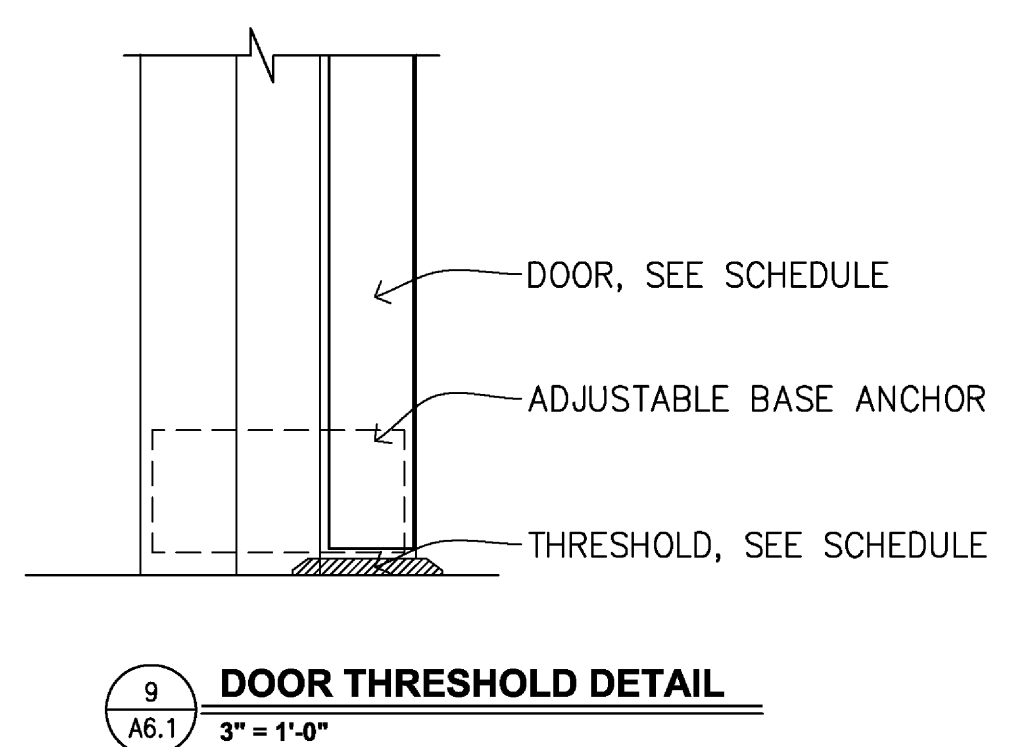
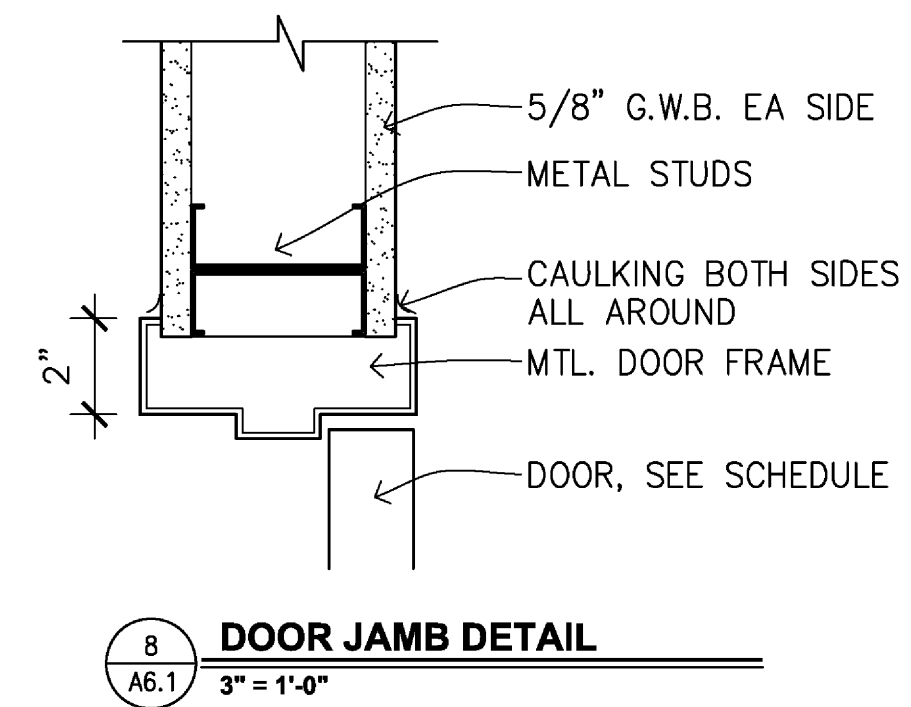
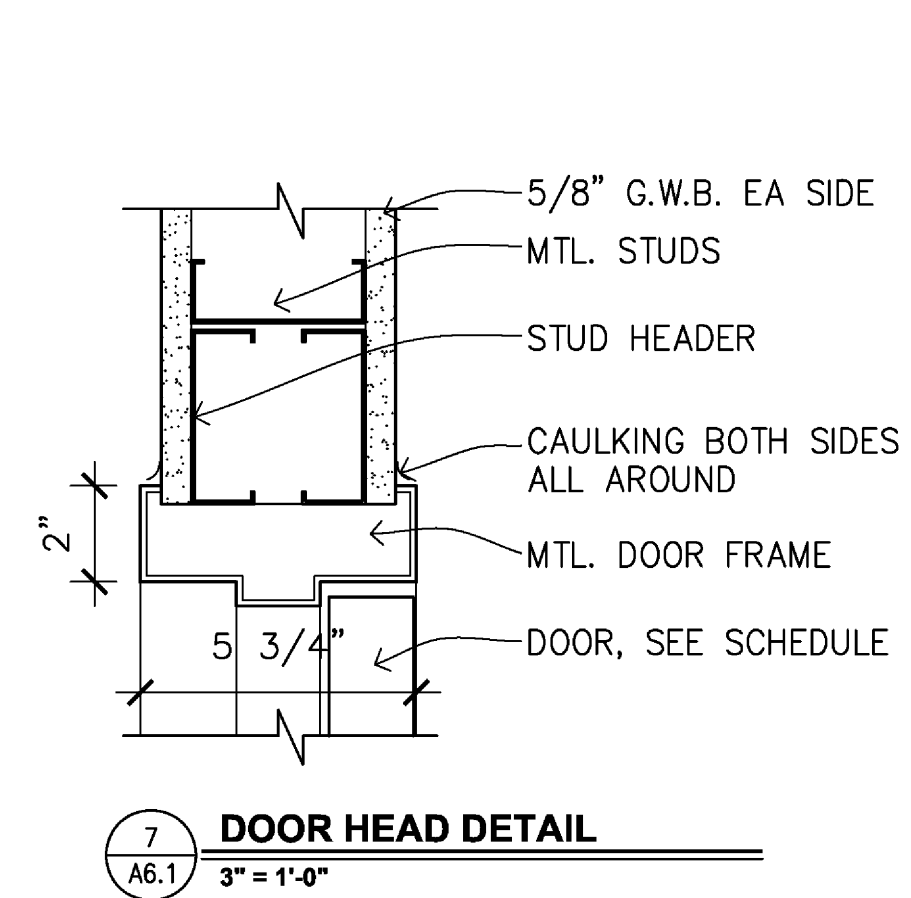
EXTERIOR WINDOW DETAILS-TYPICAL



EXTERIOR DOOR DETAILS-TYPICAL



INTERIOR DOOR DETAILS-TYPICAL



SCOPO
 design group, LLC
 Architecture • Planning • Interiors
 1930 San Marco Blvd., Suite 203
 Jacksonville, Florida 32207
 T 904 253 3902 F 904 253 3906
 www.scopodesigngroup.com
 AA26001292

PROJECT ARCHITECT
 RYAN T. DOWNS, AIA
 FLORIDA LICENSE NO. AR92651

PROJECT TEAM
LANDLORD
 PEARL PLAZA PARTNERS, LLC
TENANT
 COMMUNITY REHABILITATION RESOURCES
ARCHITECT
 SCOPO DESIGN GROUP, LLC
 904-253-3902
STRUCTURAL ENGINEER
 LATITUDE 30 ENGINEERING
 904-247-1855
MECHANICAL ENGINEER
 GREGORY ENGINEERING, INC.
 904-714-5118
ELECTRICAL ENGINEER
 SHAFFER ENGINEERING GROUP, LLC
 904-239-3821

DATE	ISSUE
22 SEPT 2009	CONCEPT
06 OCT 2009	REVIEW
02 NOV 2009	CHANGE
09 NOV 2009	PERMIT
08 JAN 2010	REV PERMIT

TENANT IMPROVEMENTS FOR
CRC INSTITUTE GREEN TRAINING CENTER
 PEARL PLAZA SHOPPING CENTER, SUITE 08
 6308 NORTH PEARL STREET, JACKSONVILLE, FLORIDA 32208
 WINDOW/DOOR DETAILS

PROJECT NO:	09088
DRAWN BY:	JMM
CHECKED BY:	RTD
SHEET NO:	

A6.1
 SHEET

Scopo Design Group, LLC. hereby expressly reserves the rights to this drawing and it is not to be reproduced or copied in any format or manner whatsoever without first obtaining permission and consent.