

DATE	ISSUE
22 SEPT 2009	CONCEPT
06 OCT 2009	REVIEW
02 NOV 2009	CHANGE
09 NOV 2009	PERMIT

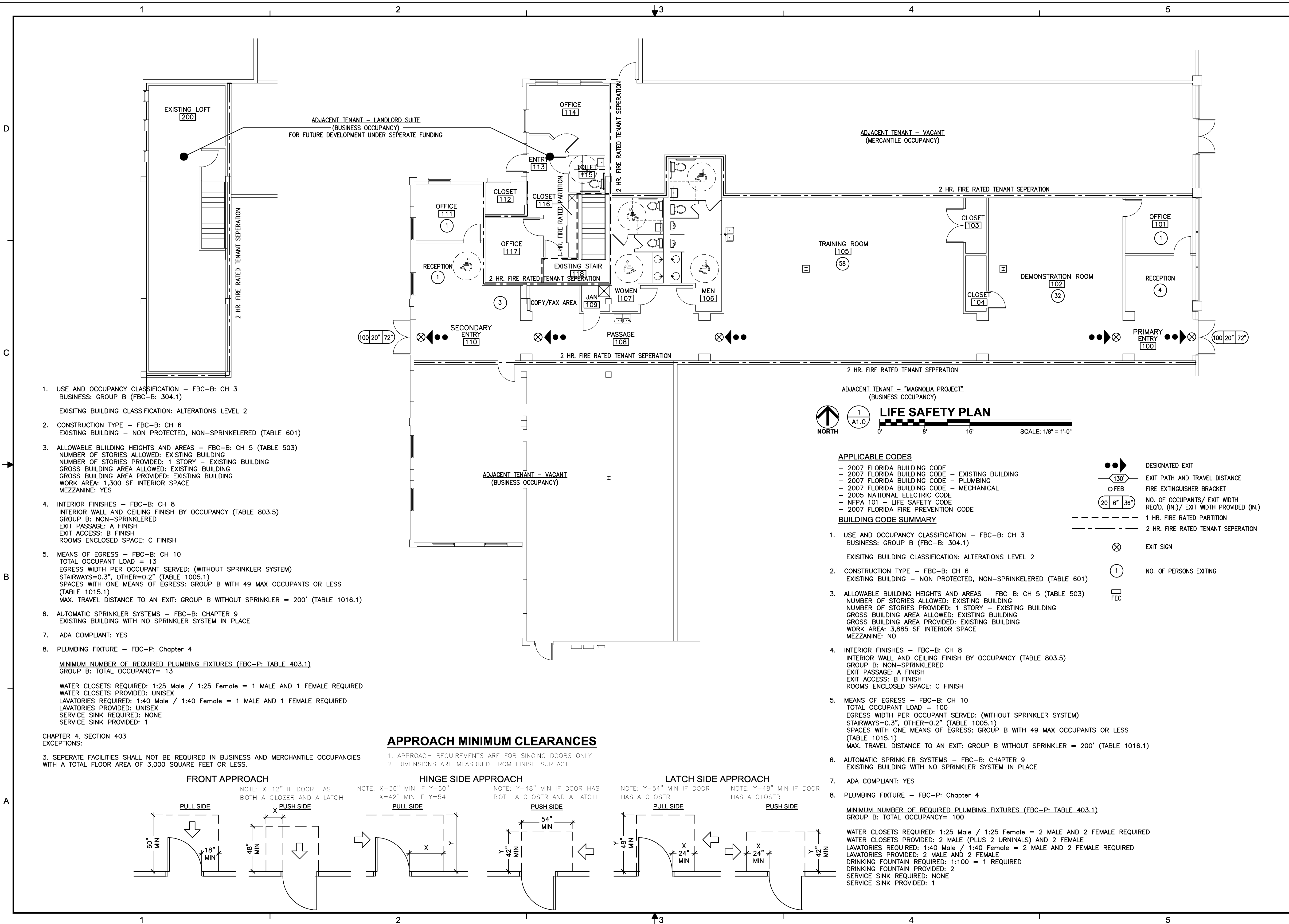
TENANT IMPROVEMENTS FOR
CRC INSTITUTE GREEN TRAINING CENTER
PEARL PLAZA SHOPPING CENTER, SUITE 08
JACKSONVILLE, FLORIDA 32208

LIFE SAFETY PLAN / CODE SUMMARY / ADA REQUIREMENTS

PROJECT NO: 09088
DRAWN BY: JMM
CHECKED BY: RTD
SHEET NO:

A1.0

SHEET

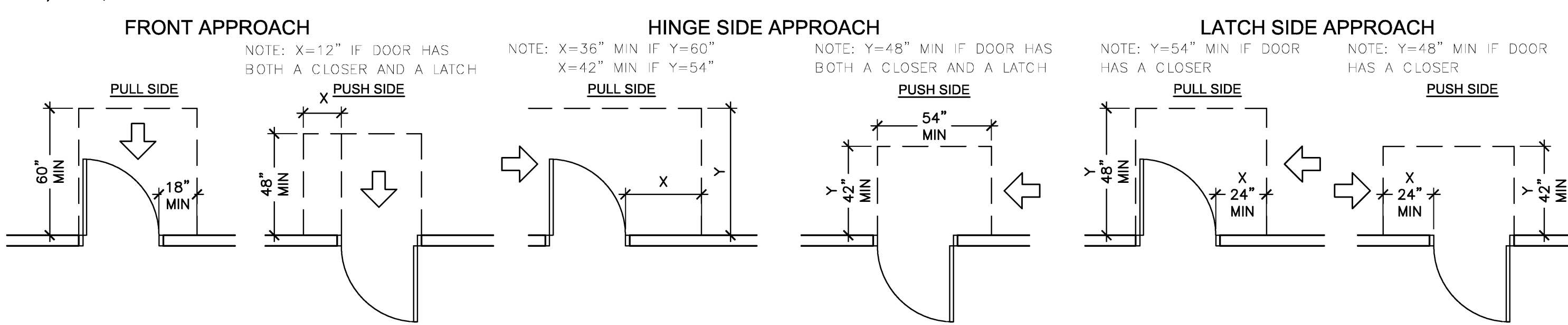


- USE AND OCCUPANCY CLASSIFICATION - FBC-B: CH 3
BUSINESS: GROUP B (FBC-B: 304.1)
EXISTING BUILDING CLASSIFICATION: ALTERATIONS LEVEL 2
- CONSTRUCTION TYPE - FBC-B: CH 6
EXISTING BUILDING - NON PROTECTED, NON-SPRINKLERED (TABLE 601)
- ALLOWABLE BUILDING HEIGHTS AND AREAS - FBC-B: CH 5 (TABLE 503)
NUMBER OF STORIES ALLOWED: EXISTING BUILDING
NUMBER OF STORIES PROVIDED: 1 STORY - EXISTING BUILDING
GROSS BUILDING AREA ALLOWED: EXISTING BUILDING
GROSS BUILDING AREA PROVIDED: EXISTING BUILDING
WORK AREA: 1,300 SF INTERIOR SPACE
MEZZANINE: YES
- INTERIOR FINISHES - FBC-B: CH 8
INTERIOR WALL AND CEILING FINISH BY OCCUPANCY (TABLE 803.5)
GROUP B: NON-SPRINKLERED
EXIT PASSAGE: A FINISH
EXIT ACCESS: B FINISH
ROOMS ENCLOSED SPACE: C FINISH
- MEANS OF EGRESS - FBC-B: CH 10
TOTAL OCCUPANT LOAD = 13
EGRESS WIDTH PER OCCUPANT SERVED: (WITHOUT SPRINKLER SYSTEM)
STAIRWAYS=0.3", OTHER=0.2" (TABLE 1005.1)
SPACES WITH ONE MEANS OF EGRESS: GROUP B WITH 49 MAX OCCUPANTS OR LESS (TABLE 1015.1)
MAX. TRAVEL DISTANCE TO AN EXIT: GROUP B WITHOUT SPRINKLER = 200' (TABLE 1016.1)
- AUTOMATIC SPRINKLER SYSTEMS - FBC-B: CHAPTER 9
EXISTING BUILDING WITH NO SPRINKLER SYSTEM IN PLACE
- ADA COMPLIANT: YES
- PLUMBING FIXTURE - FBC-P: Chapter 4
MINIMUM NUMBER OF REQUIRED PLUMBING FIXTURES (FBC-P: TABLE 403.1)
GROUP B: TOTAL OCCUPANCY= 13

WATER CLOSETS REQUIRED: 1:25 Male / 1:25 Female = 1 MALE AND 1 FEMALE REQUIRED
WATER CLOSETS PROVIDED: UNISEX
LAVATORIES REQUIRED: 1:40 Male / 1:40 Female = 1 MALE AND 1 FEMALE REQUIRED
LAVATORIES PROVIDED: UNISEX
SERVICE SINK REQUIRED: NONE
SERVICE SINK PROVIDED: 1

APPROACH MINIMUM CLEARANCES

- APPROACH REQUIREMENTS ARE FOR SINGING DOORS ONLY
- DIMENSIONS ARE MEASURED FROM FINISH SURFACE



- APPLICABLE CODES**
- 2007 FLORIDA BUILDING CODE - EXISTING BUILDING
 - 2007 FLORIDA BUILDING CODE - PLUMBING
 - 2007 FLORIDA BUILDING CODE - MECHANICAL
 - 2005 NATIONAL ELECTRIC CODE
 - NFPA 101 - LIFE SAFETY CODE
 - 2007 FLORIDA FIRE PREVENTION CODE

BUILDING CODE SUMMARY

- USE AND OCCUPANCY CLASSIFICATION - FBC-B: CH 3
BUSINESS: GROUP B (FBC-B: 304.1)
EXISTING BUILDING CLASSIFICATION: ALTERATIONS LEVEL 2
- CONSTRUCTION TYPE - FBC-B: CH 6
EXISTING BUILDING - NON PROTECTED, NON-SPRINKLERED (TABLE 601)
- ALLOWABLE BUILDING HEIGHTS AND AREAS - FBC-B: CH 5 (TABLE 503)
NUMBER OF STORIES ALLOWED: EXISTING BUILDING
NUMBER OF STORIES PROVIDED: 1 STORY - EXISTING BUILDING
GROSS BUILDING AREA ALLOWED: EXISTING BUILDING
GROSS BUILDING AREA PROVIDED: EXISTING BUILDING
WORK AREA: 3,885 SF INTERIOR SPACE
MEZZANINE: NO
- INTERIOR FINISHES - FBC-B: CH 8
INTERIOR WALL AND CEILING FINISH BY OCCUPANCY (TABLE 803.5)
GROUP B: NON-SPRINKLERED
EXIT PASSAGE: A FINISH
EXIT ACCESS: B FINISH
ROOMS ENCLOSED SPACE: C FINISH
- MEANS OF EGRESS - FBC-B: CH 10
TOTAL OCCUPANT LOAD = 100
EGRESS WIDTH PER OCCUPANT SERVED: (WITHOUT SPRINKLER SYSTEM)
STAIRWAYS=0.3", OTHER=0.2" (TABLE 1005.1)
SPACES WITH ONE MEANS OF EGRESS: GROUP B WITH 49 MAX OCCUPANTS OR LESS (TABLE 1015.1)
MAX. TRAVEL DISTANCE TO AN EXIT: GROUP B WITHOUT SPRINKLER = 200' (TABLE 1016.1)
- AUTOMATIC SPRINKLER SYSTEMS - FBC-B: CHAPTER 9
EXISTING BUILDING WITH NO SPRINKLER SYSTEM IN PLACE
- ADA COMPLIANT: YES
- PLUMBING FIXTURE - FBC-P: Chapter 4
MINIMUM NUMBER OF REQUIRED PLUMBING FIXTURES (FBC-P: TABLE 403.1)
GROUP B: TOTAL OCCUPANCY= 100

WATER CLOSETS REQUIRED: 1:25 Male / 1:25 Female = 2 MALE AND 2 FEMALE REQUIRED
WATER CLOSETS PROVIDED: 2 MALE (PLUS 2 URNINALS) AND 2 FEMALE
LAVATORIES REQUIRED: 1:40 Male / 1:40 Female = 2 MALE AND 2 FEMALE REQUIRED
LAVATORIES PROVIDED: 2 MALE AND 2 FEMALE
DRINKING FOUNTAIN REQUIRED: 1:100 = 1 REQUIRED
DRINKING FOUNTAIN PROVIDED: 2
SERVICE SINK REQUIRED: NONE
SERVICE SINK PROVIDED: 1

- DESIGNATED EXIT
- EXIT PATH AND TRAVEL DISTANCE
- FIRE EXTINGUISHER BRACKET
- NO. OF OCCUPANTS/ EXIT WIDTH REQ'D. (IN.) / EXIT WIDTH PROVIDED (IN.)
- 1 HR. FIRE RATED PARTITION
- 2 HR. FIRE RATED TENANT SEPERATION
- EXIT SIGN
- NO. OF PERSONS EXITING
- FBC